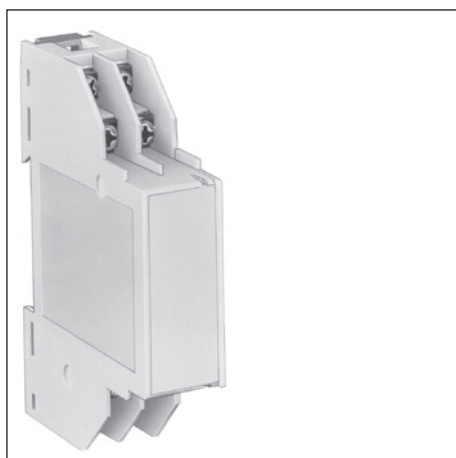
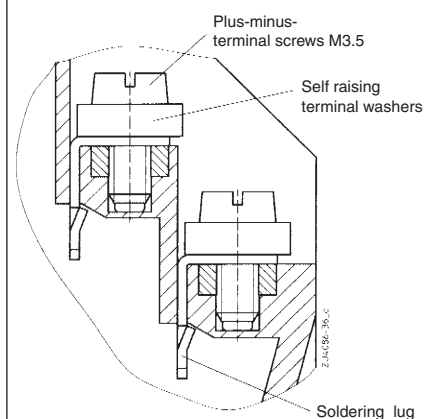


Insulated Enclosure KU 4086

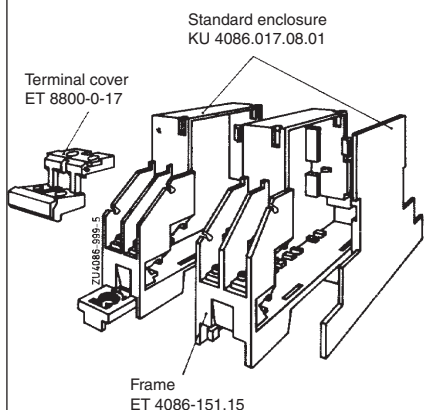
to DIN 43 880 for installation in distribution cabinets or surface mounting



- Width 17.5 mm
- Modular extensions
- 8 connection terminals with plus-minus terminal screws
- Terminal cover as option
- Standard enclosure with flat terminals or with additional high current terminals



Flat terminal for solder connection

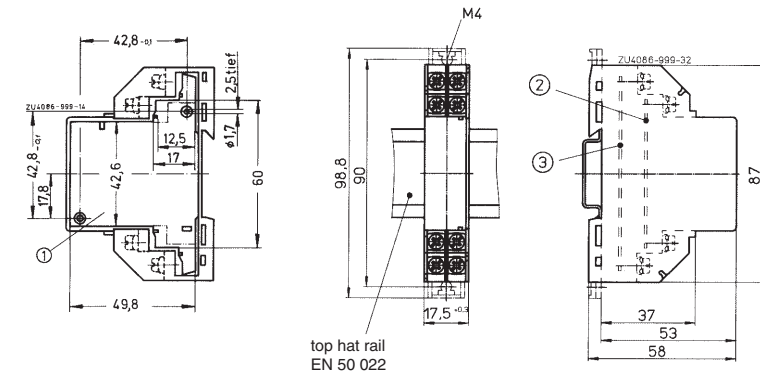


Technical Data

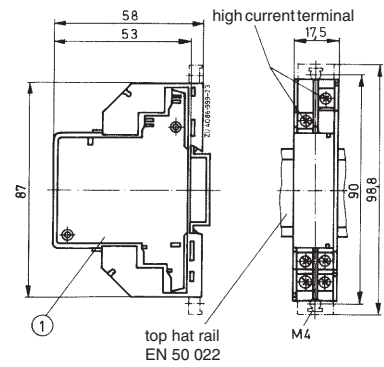
Order reference	KU 4086.017.08.01
Enclosure with 8 flat terminals:	
Enclosure with 4 flat terminals and 2 additional high current terminals:	KU 4086.017.06.02.001
Outer dimensions:	17.5 x 87 x 58 mm modular extensions in steps of 17.5 mm complying with DIN 43 880
Enclosure material:	PC-GF light grey RAL 7035
Temperature stability	
complying with UL 746 B:	125 °C
complying with Vicat ISO 306	Meth. B: 148 °C
complying with ISO 75-2	Meth. A: 138 °C Meth. B: 144 °C
Max. permitted power dissipation:	approx. $n \times 3$ W at normal climate 23 / 50-1 ISO 554
Specific thermal resistance	$R_{th} = 20$ K / W for stand-alone enclosure
Flame retardancy	V-0
complying with UL 94:	
complying with IEC 60 707:	BH 2-30
Number of terminals:	
KU 4086.017.08.01:	8, < 8 on request
KU 4086.017.06.02.001:	6, < 6 on request
Terminal material:	Steel strip, tinned / MS, nickel plated
Max. cross section for connection at flat terminals:	max. 2 x 2.5 mm ² solid 2 x 1.5 mm ² stranded ferruled DIN 46 228-1/-2/-3/-4
at high current terminals:	max. 16 mm ² solid max. 6 mm ² stranded ferruled DIN 46 228-1/-2/-3/-4
Insulation of wires length:	10 mm
Max. current carrying capacity:	
KU 4086.017.08.01:	16 A
KU 4086.017.06.02.001:	40 A
Wire fastening:	Plus-minus-terminal screws M3.5, with self raising terminal washers. Complies with IEC 60 999-1 40 A - Terminal without terminal washers
Torque:	max. 0.8 Nm
Inner connection:	Soldering lug for stranded
Enclosure fastener:	1. Snap-on fastener on top hat rail EN 50 022 2.) Screw fixing with Doldfix K70/032.5-0-2
Creepage current resistance:	CTI 175 $\hat{=}$ insulated material III a IEC 60 664-1
Air gap and creepage distance:	≥ 5 mm IEC 60 664-1
Type of protection	
Enclosure:	IP 40
Terminals:	IP 10 (with terminal cover IP 20 and contact protection complies with VBG 4)
Print area:	42 x 16 x n mm (n = number of modules)
Printed circuit board:	See printed circuit board design
Printed circuit board holder in standard enclosure:	Screw fixing 2 x M2
in frame:	Guide ribs
Net weight:	40 g
Accessories:	
ET 4086-151-15	Frame (for modular extension) with 8 Flat terminals, on request with other terminal inserts and mounting clip(s)
ISO 1207 M2 x 3:	Cylindrical screws for mounting PCB ① in standard enclosures
ET 8800-0-17:	Terminal cover for flat terminals, complies with contact protection according to VBG 4 and DIN 57 106-100
K70/150-0-48:	Blanking plug

Dimensions

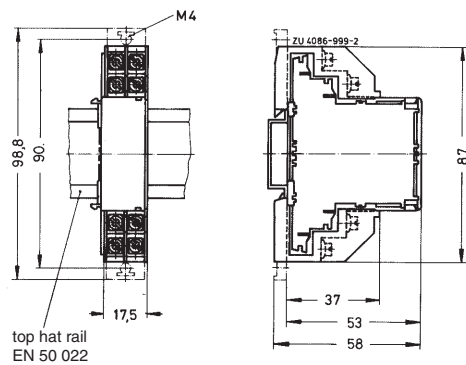
KU 4086.017.08.01



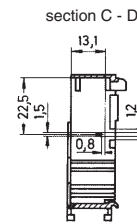
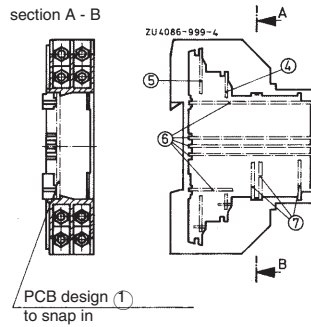
KU 4086.017.06.02.001



ET 4086-151.15



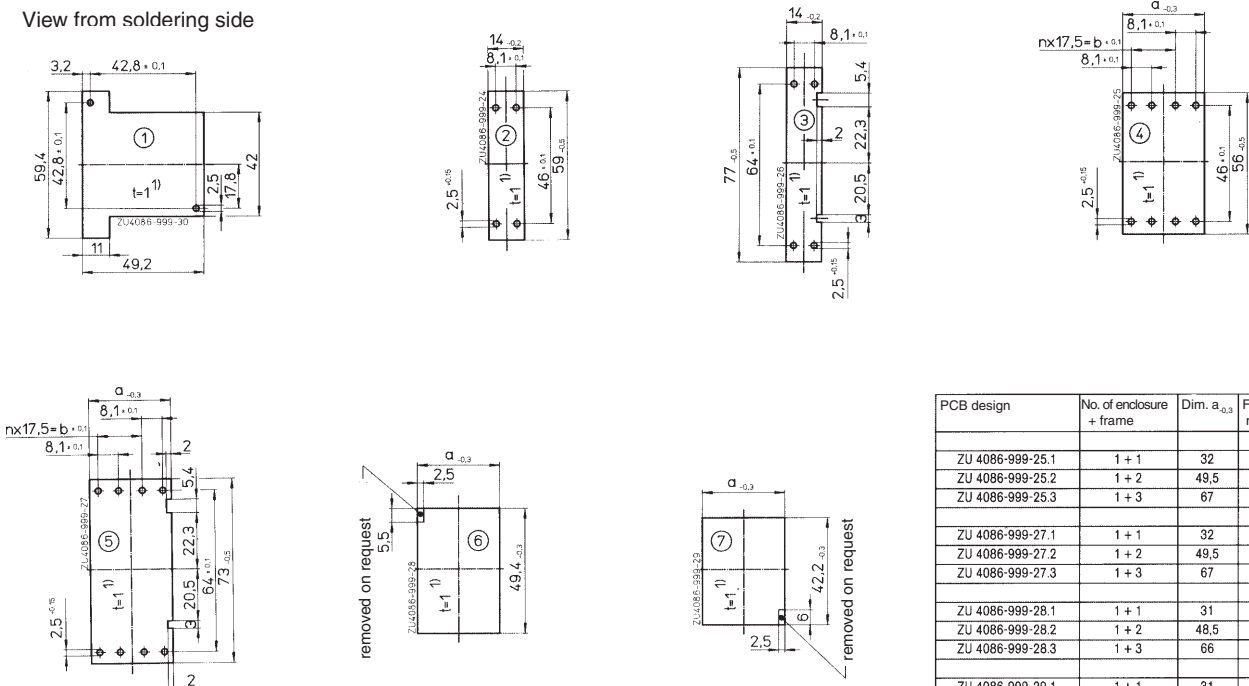
Possibilities of PCBs installation



Slots suitable for PCBs to IEC 60 249-2-4

Printed circuit board design

View from soldering side



PCB design	No. of enclosure + frame	Dim. a _{0,3}	Factor/Dim. n/b ± 0,1
ZU 4086-999-25.1	1 + 1	32	1/17,5
ZU 4086-999-25.2	1 + 2	49,5	2/35
ZU 4086-999-25.3	1 + 3	67	3/52,5
ZU 4086-999-27.1	1 + 1	32	1/17,5
ZU 4086-999-27.2	1 + 2	49,5	2/35
ZU 4086-999-27.3	1 + 3	67	3/52,5
ZU 4086-999-28.1	1 + 1	31	
ZU 4086-999-28.2	1 + 2	48,5	
ZU 4086-999-28.3	1 + 3	66	
ZU 4086-999-29.1	1 + 1	31	
ZU 4086-999-29.2	1 + 2	48,5	
ZU 4086-999-29.3	1 + 3	66	

1) Tolerance complying with IEC 60 249-2-4