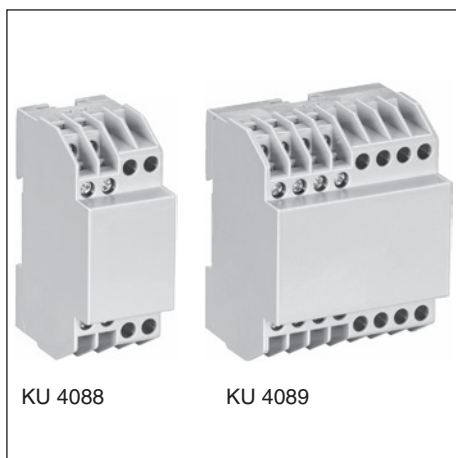
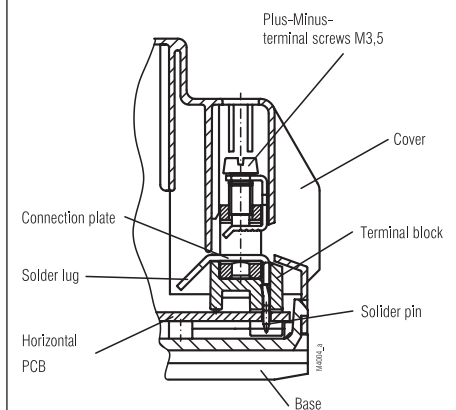


# Insulated Enclosure KU 4088 KU 4089

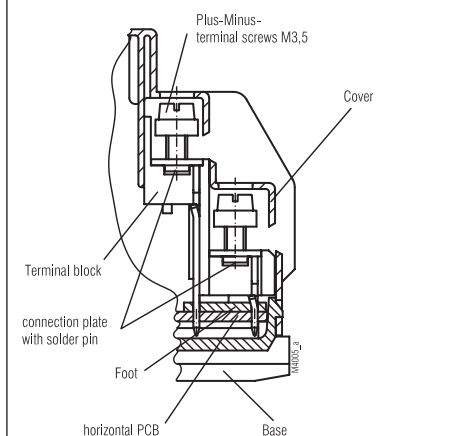
to DIN 43 880 for installation in distribution cabinets or surface mounting, with high current terminals and flat terminals



- Width 35 mm; 70 mm
- KU 4088 with max. 4 high current terminals and 8 flat terminals.
- KU 4089 with max. 8 high current terminals and 16 flat terminals.
- High current terminals for horizontal PCB or without PCB
- Machine soldered connections
- Housing supplied as single parts, terminals prefitted in terminal blocks



High current terminal for horizontal PCB



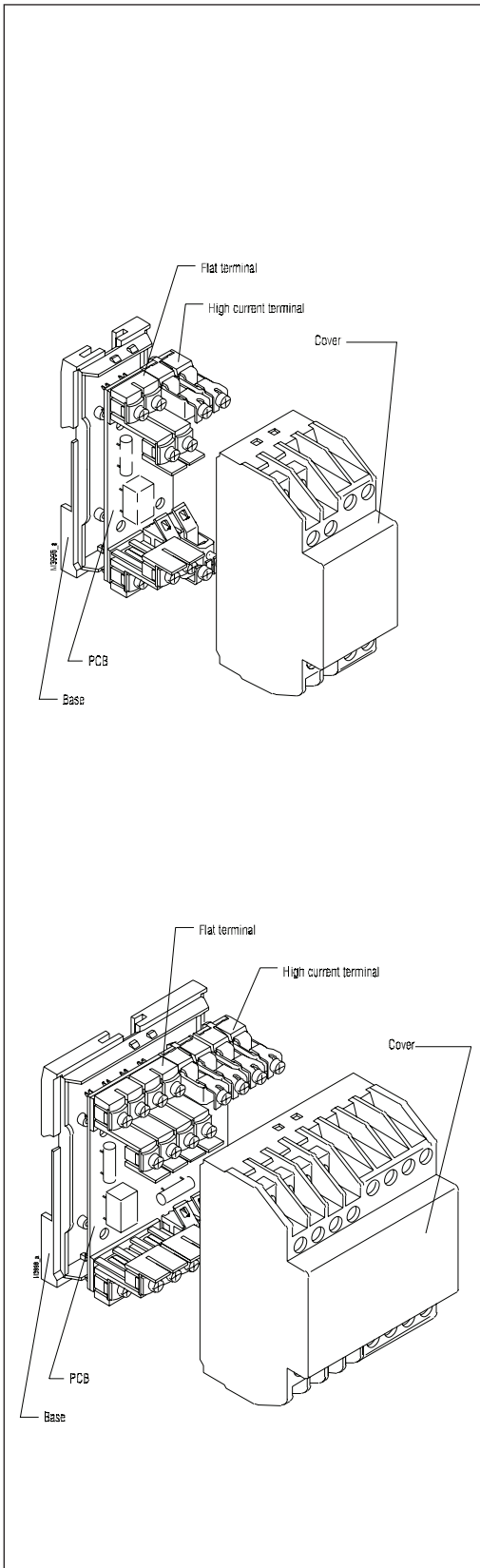
Flat terminal for horizontal PCB

## Technical Data

Order references	KU 4088.0054418	
horizontal PCB:	KU 4089.0054419	
vertical PCB:	KU 4088.0054447	
	KU 4089.0054448	
<b>Outer dimensions:</b>	35 x 90 x 58 mm / 70 x 90 x 58 mm	
Enclosure material:	PC - GF, light grey RAL 7035	
Temperature stability:		
complying with UL 746 B:	125 °C	
complying with Vicat ISO 306	Meth. B:	148 °C
complying with ISO 75-2	Meth. A:	138 °C
	Meth. B:	144 °C
Max. permitted power dissipation:	4,5 W; 8 W for stand alone enclosure at normal climate 23/50-1	ISO 554
Specific thermal resistance:	R <sub>th</sub> = 12 K / W; R <sub>th</sub> = 8 K / W for stand alone enclosure	
Flame retardancy	V-0	
complying with UL 94:	BH 2-30	
complying with IEC 60 707:		
<b>Number of terminals:</b>		
KU 4088:	4 High current terminals, part insertion, on request	
	8 Flat terminals, part insertion, on request	
KU 4089:	8 High current terminals, part insertion, on request	
	16 Flat terminals, part insertion, on request	
	High current terminals	Flat terminals, standard
Terminal material:	E - Copper, tin-plated	steel strip, tin-plated
Max. cross section for connection:	1 x 10 mm <sup>2</sup> solid	2 x 2,5 mm <sup>2</sup> solid
	1 x 6 mm <sup>2</sup> stranded ferruled 12 mm large DIN 46 228 not B	2 x 1,5 mm <sup>2</sup> stranded ferruled DIN 46 228-1/-2/-3
		2 x 1 mm <sup>2</sup> stranded ferruled DIN 46 228-4
Min. cross section for connection:	≥ 1 mm <sup>2</sup> solid	1 x 0,3 mm <sup>2</sup> solid or
	≥ 0,5 mm <sup>2</sup> stranded ferruled	1 x 0,5 mm <sup>2</sup> stranded ferruled
		DIN 46 228-1/-2/-3/-4
Insulation of wires:	11 mm	10 mm
Max. contact resistance to printed circuit board:	10 mΩ	10 mΩ
Max. current carrying capacity:	50 A	16 A
Wire fastening:	Captive Plus-minus-terminal M4	Captive Plus-minus-terminal M3,5
	Box terminal with self raising wire protection Function complies with IEC 60 999-1	with self raising terminal washers Function complies with IEC 60 999-1
Torque:	max. 1,2 Nm	max. 0,8 Nm
Require tool:	Screwdriver	ISO 2380-1
	Screwdriver	ISO 8764-Z
Inner connection:	Machine solderable terminal blocks for PCB, high current terminal with lugs for solder connection with stranded	
<b>Enclosure fastener:</b>	1) Snap-on fastener on top hat rail EN 50 022	
	2) Screw fixing M4, grid 90 mm with additional clip as accessory	
Creepage current resistance:	Insulated group III a	IEC 60 664-1
<b>Air gap and creepage distances</b>	IEC 60 664-1	
High current terminals:	Out: ≥ 8,0 mm; in: ≥ 5,0 mm	
Flat terminals		
vertical PCB:	Air gap: ≥ 4,0 mm; Creepage: ≥ 6,3 mm	
horizontal PCB:	≥ 3,2 mm	
Type of protection		
Enclosure:	IP 40	IEC 60 529
Terminals:	IP 20	IEC 60 529
	Contact protection complies VBG 4	

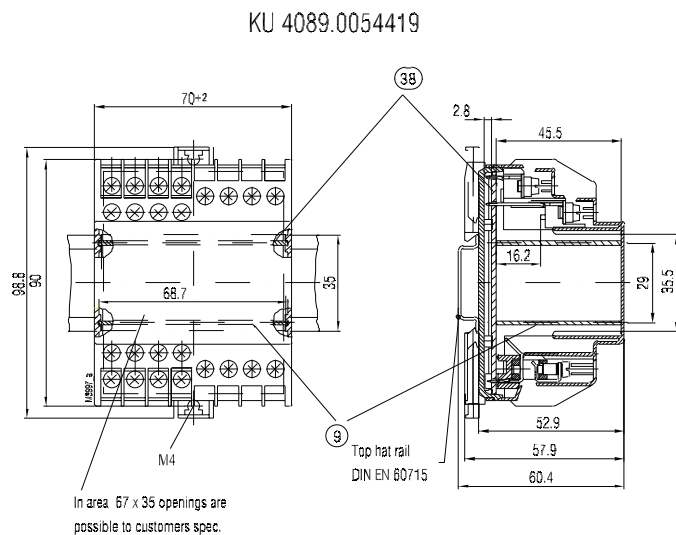
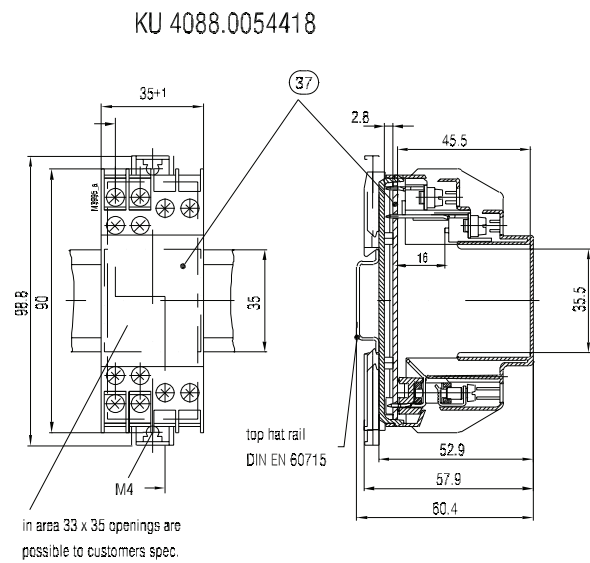
Print areas:	33 x 42 mm / 67 x 42 mm, on the front
<b>Printed circuit board:</b>	see printed circuit board design
Printed circuit board holder:	Fixing eyes in the lower section of enclosure resp. guide ribs in the base
Net weight:	82 g; 150 g
<b>Accessories:</b>	
ET 4086-0-2:	Second clip for screw fixing
KU 4087-0-2:	Blanking plug for flat terminal
KU 4087-21-3:	Blanking plug for high current terminal
Special version, on request:	e. g. openings in the front

## Exploded view

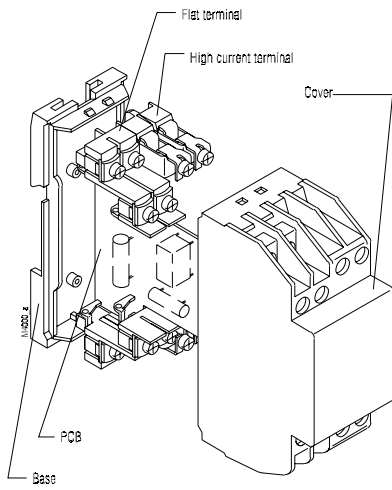


## Dimensions Enclosure for horizontal PCB

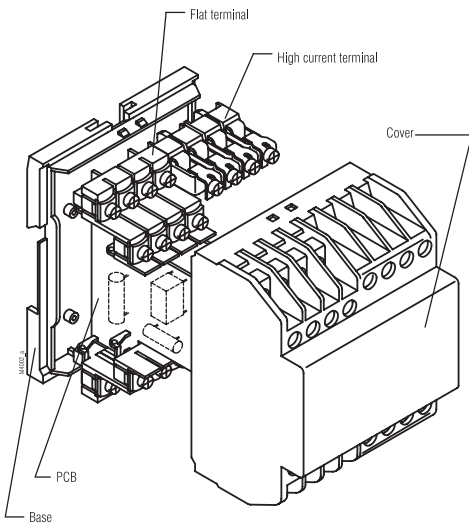
PCBs not included in deliveries



## Exploded view



with 1 vertical PCB

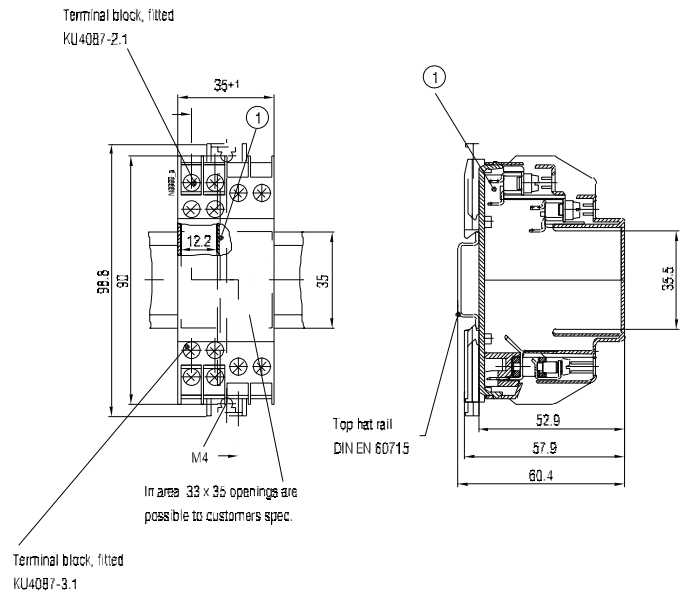


with 2 verticals PCB

## Dimensions Enclosure for vertical PCB

PCBs not included in deliveries

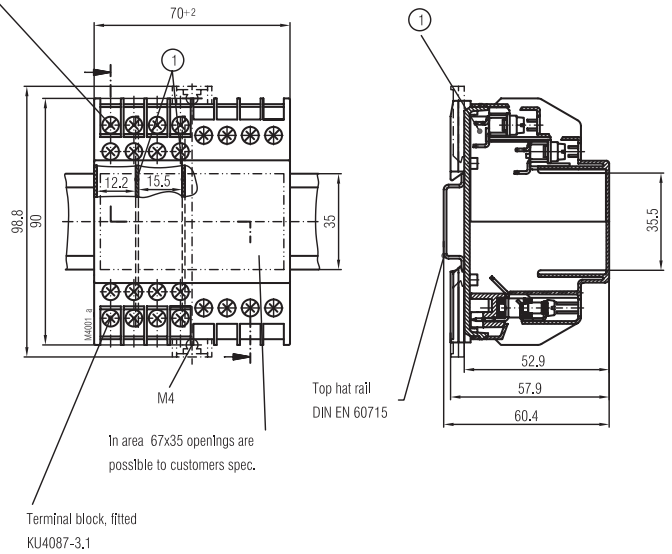
KU 4088.0054447



with 1 vertical PCB

Terminal block, fitted KU4087-2.1

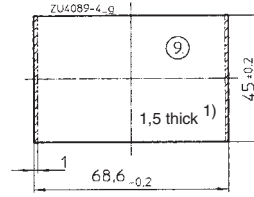
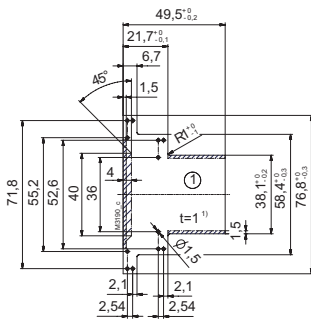
KU 4089.0054448



with 2 verticals PCB

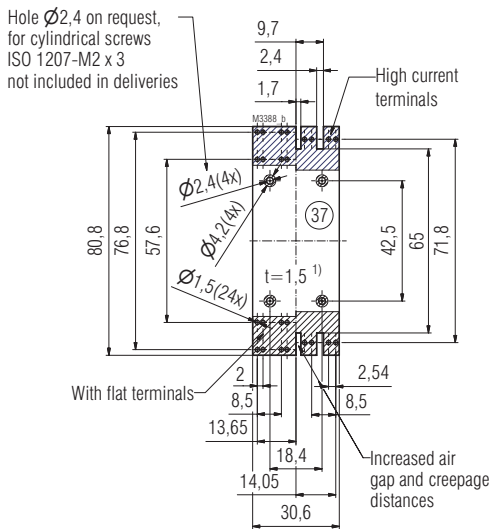
Terminal block, fitted KU4087-3.1

## Printed circuit board designs



- inhibited surface component side
- inhibited surface solder side, component height max. 1mm
- <sup>1)</sup> Tolerance to IPC-4101/21
- General tolerance: PER FAG 2 E

View from component side

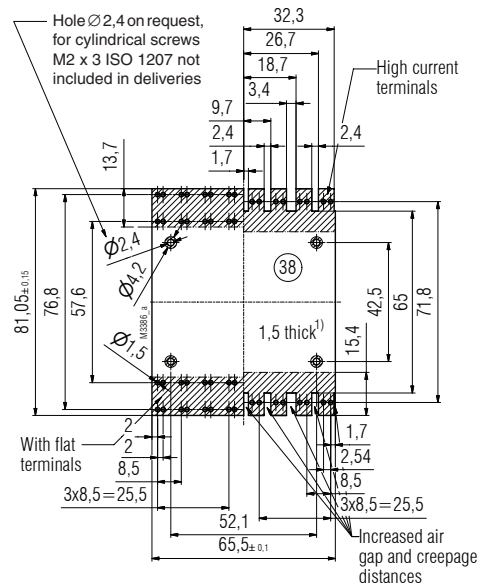


inhibited surface

<sup>1)</sup> Tolerance complying with IEC 60 249-2-4

General tolerance: PER FAG 2 E

View from component side

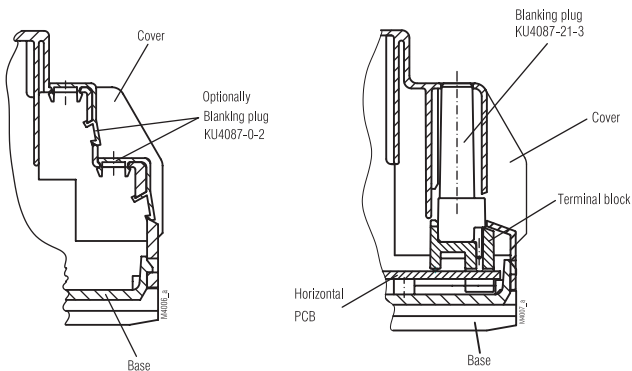


inhibited surface

<sup>1)</sup> Tolerance complying with IEC 60 249-2-4

<sup>2)</sup> Only required for use with terminal block KU 4087-21-1.2

## Accessories



### Standard

Connection plate KU 4087-21-2.1  
Easy assembly of fine wires



Solder lug for stranded up to 4 mm<sup>2</sup>

Pin off-set 2,54 mm<sup>2</sup>  
Pin cross section each 1 mm<sup>2</sup>

### Variante

Connection plate KU 4087-21-2.2  
Easy assembly of heavy wires due to terminal blocks in the cover



Solder lug for stranded up to 6 mm<sup>2</sup>

Pin off-set 2,54 mm<sup>2</sup>  
Pin cross section each 1 mm<sup>2</sup>