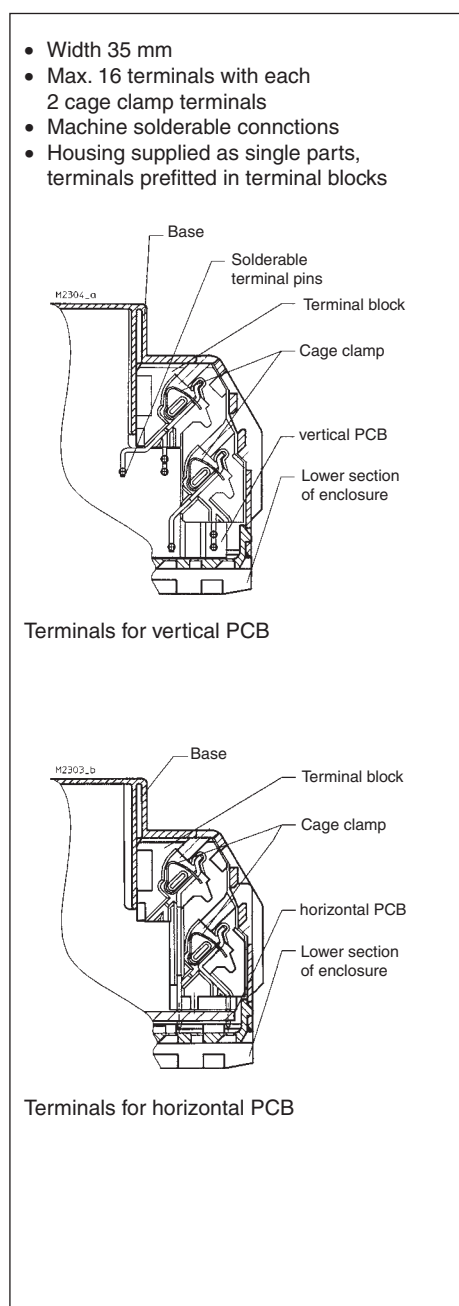
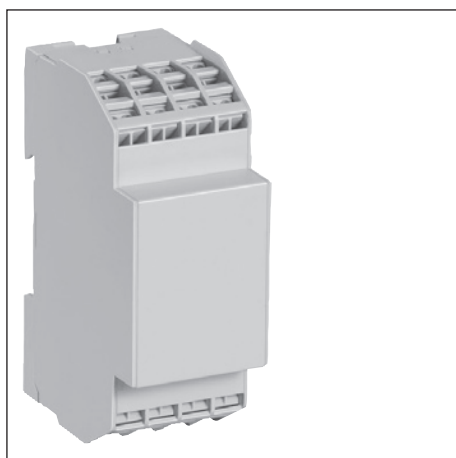


Insulated Enclosure KU 4038

to DIN 43 880 for installation in distribution cabinets or surface mounting, with cage clamp terminals



Technical Data

Order references:

KU 4038.0050257: for vertical PCB
 KU 4038.0050256: for horizontal PCB

Outer dimensions: 35 x 90 x 58 mm

Enclosure material: PC-GF, light grau RAL 7035

Temperature stability:		
complying with UL 746 B:		125 °C
complying with Vicat ISO 306	Meth. B:	148 °C
complying with ISO 75-2	Meth. A:	138 °C
	Meth. B:	144 °C

Max. permitted power dissipation: 4,5 W at normal climate 23/50-1 ISO 554

Specific thermal resistance: $R_{th} = 12 \text{ K / W}$

Flame retardancy
 complying with UL 94: V-0
 complying with IEC 60 707: BH 2-30

Number of terminals: 16

Terminal material: High grade steel / Copper alloy, tin-plated

Max. cross section for connection: 2 x 1,5 mm² solid or
 2 x 1,5 mm² stranded or
 2 x 1 mm² stranded ferruled DIN 46 228-1/-2/-3/-4
 min. Ø 0,5 mm solid AWG 24

Insulation of wires length: 8 mm

Max. contact resistance to printed circuit board: 10 mΩ

Max. current carrying capacity: 10 A

Wire fastening: Cage clamps
 Required tool: Screwdriver ISO 2380-1-B0,5x3

Inner connection: Machine-solderable terminal pins for PCB

Enclosure fastener:
 1) Snap-on fastener on top hat rail EN 50 022
 2) Screw fixing M4, grid 90 mm with second clip as accessory

Creepage current resistance: CTI 175 $\hat{=}$ insulated material III a IEC 60 664-1

Air gap and creepage distance
 vertical PCB: Air gap distances: $\geq 3,3 \text{ mm}$ IEC 60 664-1
 Creepage distances: $\geq 4,5 \text{ mm}$
 horizontal PCB: $\geq 4 \text{ mm}$

Type of protection
 Enclosure: IP 40 IEC 60 529
 Terminals: IP 20 IEC 60 529
 Contact protection complies with VBG 4

Print area: 34 x 44 mm on the front and 34 x 8 mm above the terminals

Printed circuit board: See printed circuit board design

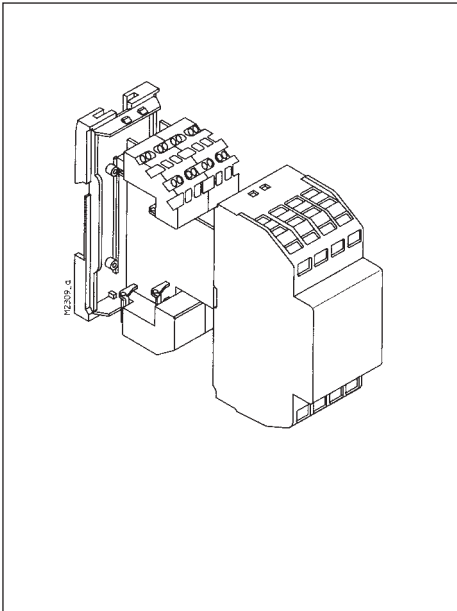
Printed circuit board holder: Guide ribs

Component installation height for a vertical printed circuit board
 on component side: $\leq 29 \text{ mm}$
 on soldering side: $\leq 2,0 \text{ mm}$

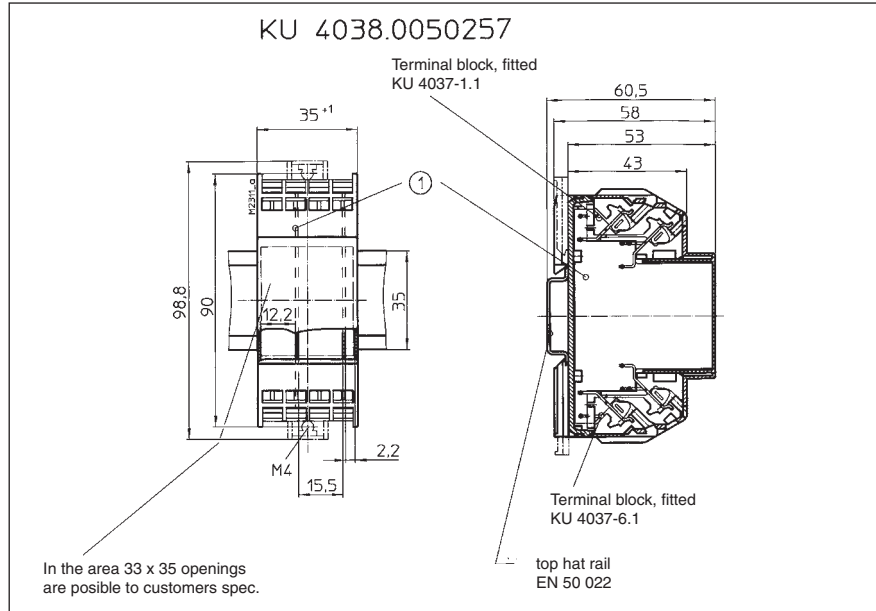
Net weight: 82 g

Accessories:
 ET 4086-0-2: Second clip for screw fixing

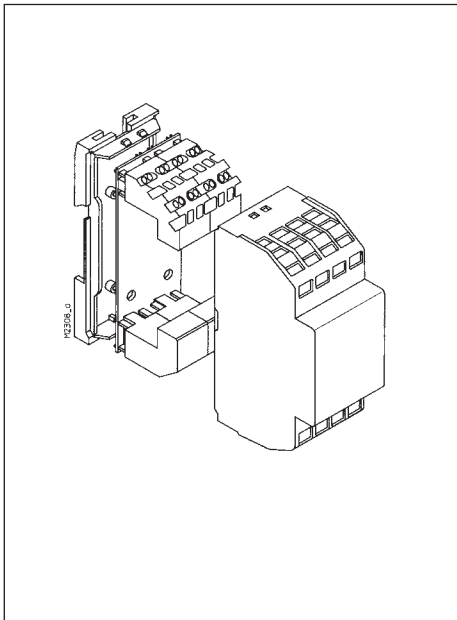
Exploded view



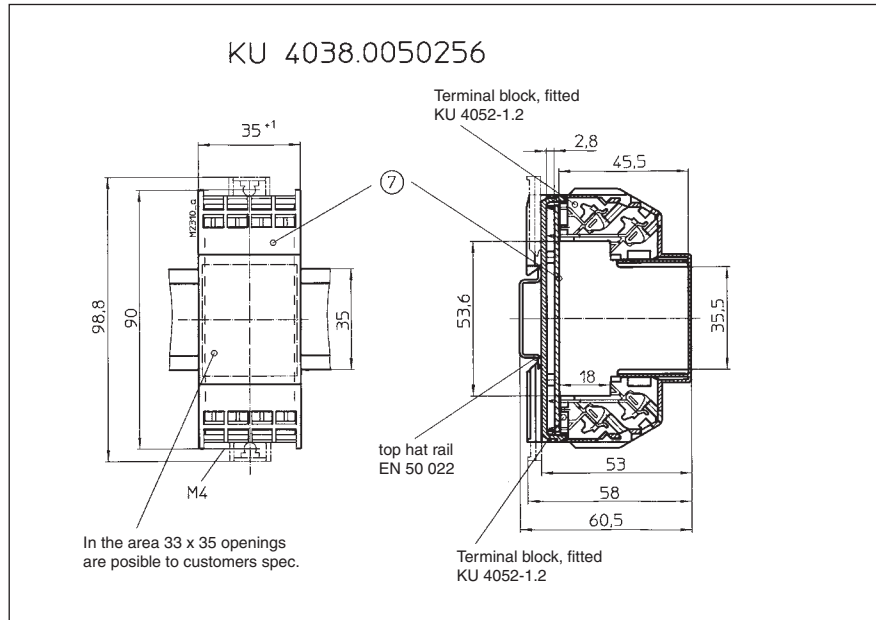
Dimensions Enclosure for vertical PCB



Exploded view



Dimensions Enclosure for horizontal PCB



Printed circuit board design

