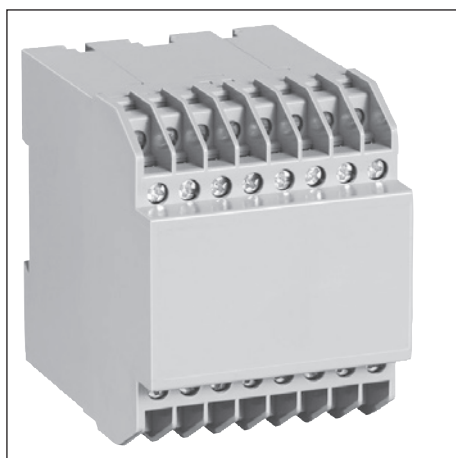
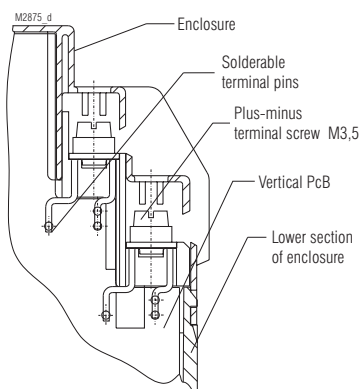


Insulated Enclosure KO 4904

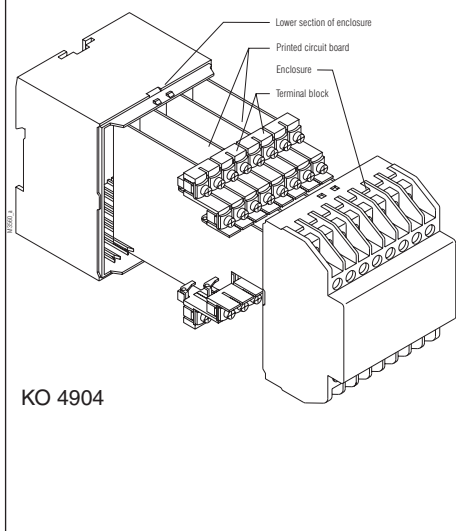
for surface mounting and mounting in cabinets,
with flat terminals



- Width 70 mm
- Max. 32 plus-minus-terminal screws with self-raising terminal washers
- Reliable connection of max. 2 wires even with different diameter
- Terminal blocks can be machine-soldered additional wire soldering is possible
- Housing supplied as single parts, terminals prefitted in terminal blocks



Flat terminals for solder connection

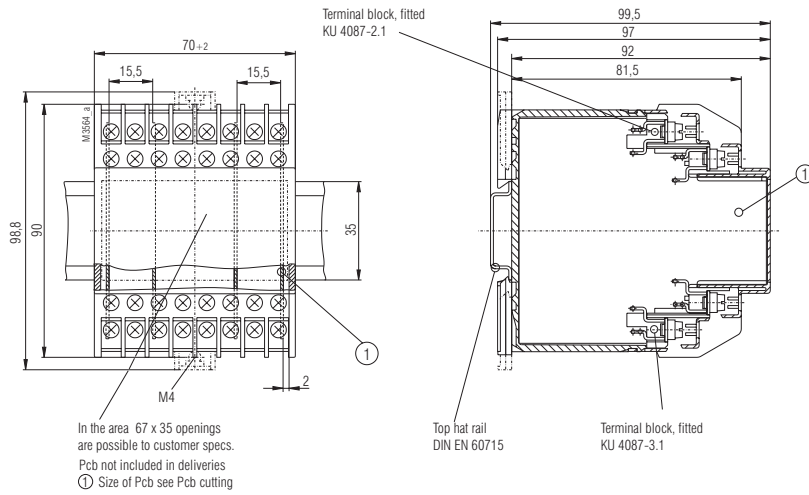


KO 4904

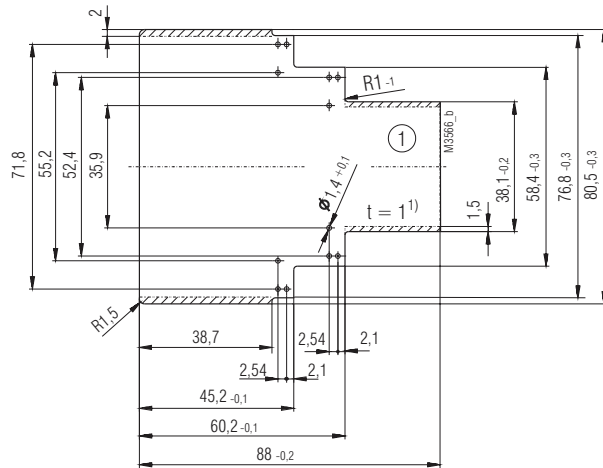
Technical Data

Order reference:	KO 4904.0049934	
Outer dimensions:	70 x 90 x 97 mm	
Enclosure material:	PC-GF, light grey RAL 7035	
Temperature stability:		
complying with UL 746 B:	125 °C	
complying with Vicat		
ISO 306 Meth. B:	148 °C	
compl.with ISO 75-2 Meth. A:	138 °C	
Meth. B:	144 °C	
Max. permitted power dissipation:	14 W for stand-alone enclosure at normal climate 23/50-1	ISO 554
specific thermal resistance:	R _{th} = 4 K / W for stand-alone enclosure	
Flame retardancy complying with UL 94:	V-0	
complying with IEC 60 707:	BH 2-30	
Number of terminals:	32, < 32 on request	
Terminal material:	Steel strip, tin-plated	
Max. cross section for connection:	2 x 2.5 mm ² solid 2 x 1.5 mm ² stranded ferruled min. Ø 0.1 mm solid	DIN 46 228-1/-2/-3/-4
Insulation of wires length:	9 - 10 mm	
Max. contact resistance to printed circuit board:	20 mΩ	
Max. current carrying capacity:	16 A, 40 A on request	
Wire fastening:	Captive plus-minus-terminal screws M3.5 with self raising terminal washers Function complying with	IEC 60 999-1
Torque:	max. 0.8 Nm	
Inner connection:	Machine-solderable terminal pins for printed circuit board and soldering pin for strands	
Housing fastener:	1) Snap-on fastener on top hat rail 2) Screw fastening M4, grid 90 mm with second clip as accessory	EN 50 022
Creepage current resistance:	CTI 175 ≙ insulated material III a	IEC 60 664-1
Air gap and creepage distances		IEC 60 664-1
Housing for vertical printed circuit board:	Air gap ≥ 4 mm Creepage distance ≥ 6.3 mm	
Type of protection		IEC 60 529
Enclosure:	IP 40	
Terminals:	IP 20 Contact protection complies with VBG 4	
Print area:	70 x 44 mm	
Printed circuit board:	See Printed circuit board design	
Printed circuit board holder:	Guide ribs	
Component installation height for a vertical printed circuit board		
on component side:	≤ 63 mm	
on soldering side:	≤ 3.0 mm	
Net weight:	200 g	
Accessories:		
ET 4086-0-2:	Second clip for screw fastening	
KU 4087-0-2:	Blanking plug for enclosure base	
KU 4089-3-4:	Blanking plug for terminal block	
KU 4087-1-1:	Dummy terminal block for vertical PCB	


Dimensions



Printed circuit board design



 Inhibited surface

 In this area max. component and pin height 1,4 mm

¹⁾ Tolerance complying with IEC 60 249-2-4
General tolerance PERFAG 2 E