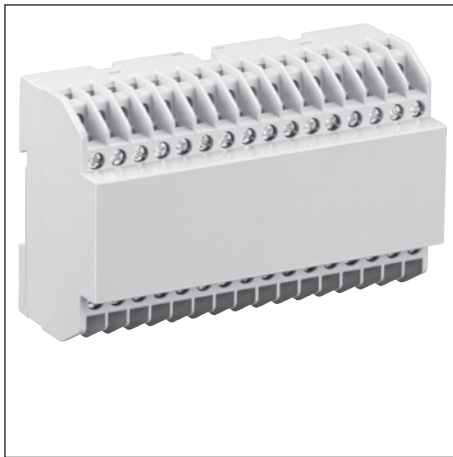
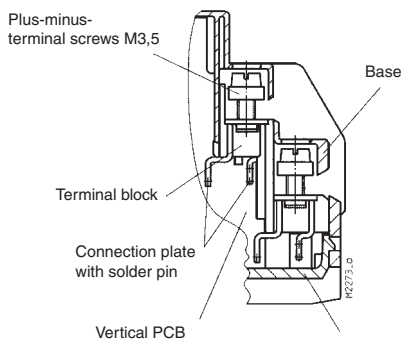


Insulated Enclosure KU 4091

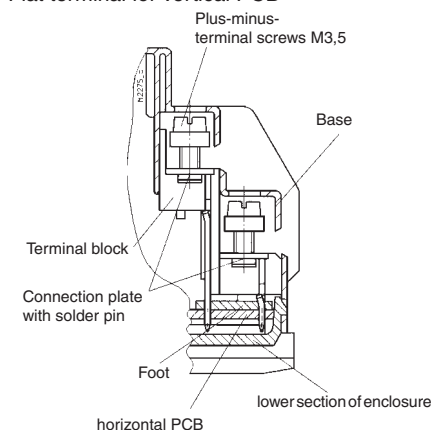
to DIN 43 880 for installation in distribution cabinets or surface mounting



- Width 140 mm
- optionally 32 or 64 plus-minus terminal screws with self raising terminal washers
Part insertion possible, available with blanking plugs
- Secure termination of max. 2 connection wires of differing cross section
- Machine solderable connection pins, additional wire connection possible
- available with EIB-plug-in
- available with ventilation slots
- Housing supplied as single parts, terminals prefitted in terminal blocks



Flat terminal for vertical PCB



Flat terminals for horizontal PCB

Technical Data

Order references:
 KU 4091.0037203: 64 terminals, soldering on vertical PCB
 KU 4091.0037202: 32 terminals, diagonally soldering on vertical PCB
 KU 4091.0037201: 32 terminals, in a row soldering on vertical PCB
 KU 4091.0036973: 64 terminals, soldering on horizontal PCB
 KU 4091.0038001: 32 terminals, diagonally soldering on horizontal PCB
 KU 4091.0038002: 32 terminals, in a row soldering on horizontal PCB

Outer dimensions: 140 x 90 x 59 mm
 Enclosure material: PC - GF, light grey RAL 7035

Temperature stability:	
complying with UL 746 B:	125 °C
complying with Vicat ISO 306	Meth. B: 148 °C
complying with ISO 75-2	Meth. A: 138 °C Meth. B: 144 °C

Max. permitted power dissipation: 22 W for stand alone enclosure at normal climate 23/50-1 ISO 554

Specific thermal resistance: $R_{th} = 4,5 \text{ K / W}$ for stand-alone enclosure

Flame retardancy
 complying with UL 94: V-0
 complying with IEC 60 707: BH 2-30

Number of terminals: 64 / 32; < 64 / < 32 on request

Terminal material: Steel strip, tin-plated

Max. cross section for connection: 2 x 2,5 mm² solid
 2 x 1,5 mm² stranded DIN 46 228-1/-2/-3/-4
 min Ø 0.6 solid / 0.28 mm² / 22 AWG

Insulation of wires length: 10 mm

Max. contact resistance to printed circuit board: 20 mΩ

Max. current carrying capacity: 16 A; 50 A on request

Wire fastening: Captive plus-minus-terminal screws M3,5 with self raising terminal washers. Function complying with IEC 60 999-1

Torque: max. 0,8 Nm

Inner connection: Machine solderable connection pin for PCB and soldering lug for stranded

Enclosure fastener:
 1) Snap-on fastener on top hat rail EN 50 022
 2) Screw fixing M4, grid 90 mm with additional clip as accessory

Creepage current resistance: CTI 175 ± insulated material III a IEC 60 664-1

Air gap and creepage distances IEC 60 664-1
 Vertical PCB: Air gap distance: ≥ 4,0 mm
 Creepage distance: ≥ 6,3 mm
 Horizontal PCB: ≥ 3,2 mm

Type of protection
 Enclosure: not fixed: IP 30 IEC 60 529
 fixed on Din-rail or Screw fixing: IP 40

Terminals: IP 20 IEC 60 529
 Contact protection complies with VBG 4

Print area: 137 x 42 mm

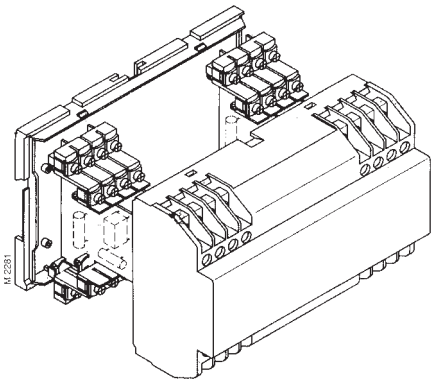
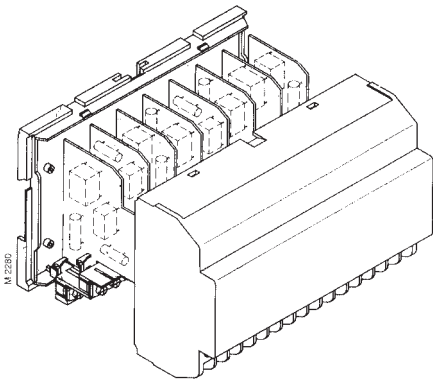
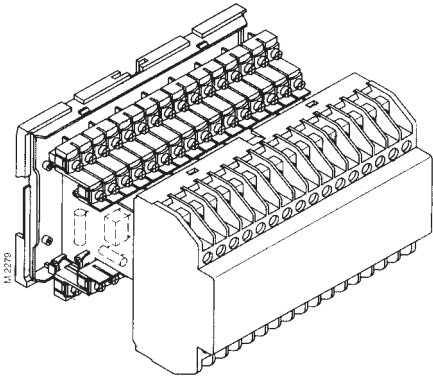
Printed circuit board: See printed circuit board design

Printed circuit board holder: Guide ribs

Net weight:
 with 64 terminals: 270 g
 with 32 terminals: 230 g

Accessories:
 ET 4086-0-2: Second clip for screw fixing
 KU 4089-3-4: Blanking plug for terminal block
 KU 4087-0-2: Blanking plug for Enclosure base
 KU 4087-2-1: Dummy terminal block for vertical PCB
 KU 4089-3-1: Dummy terminal block for horizontal PCB
 Double foot, for KU 4089-3-1 necessary,
 2 pieces KU 4089-3-1 mounted on double foot
 Foot, for KU 4089-3-1 necessary,
 1 piece KU 4089-3-1 mounted on foot

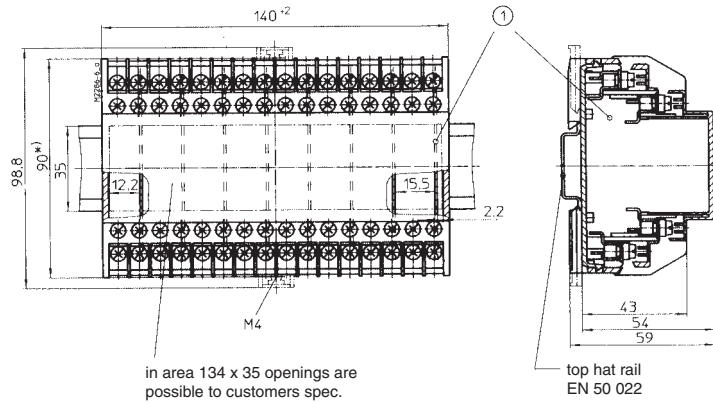
Exploded views



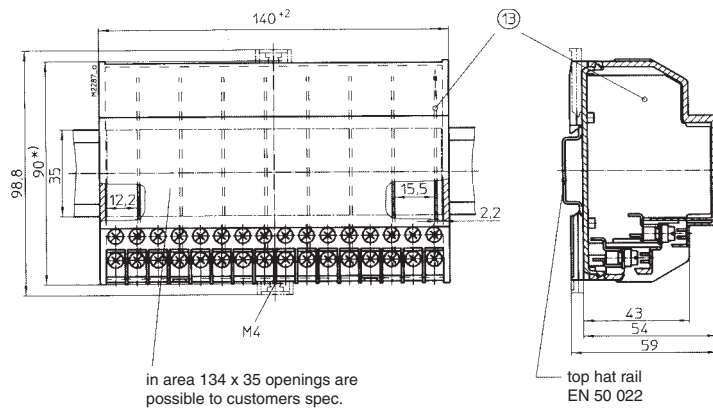
Dimensions Enclosure for vertical PCB

PCBs not included in deliveries

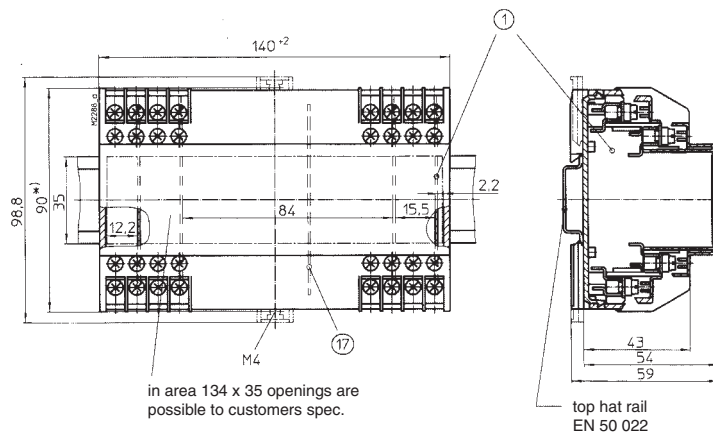
KU 4091.0037203



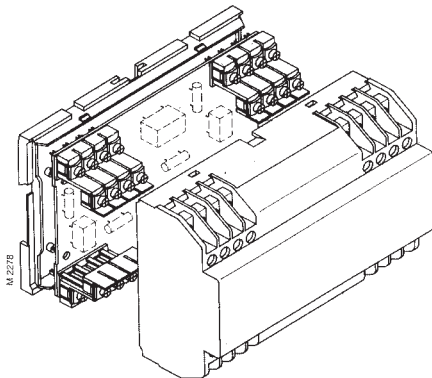
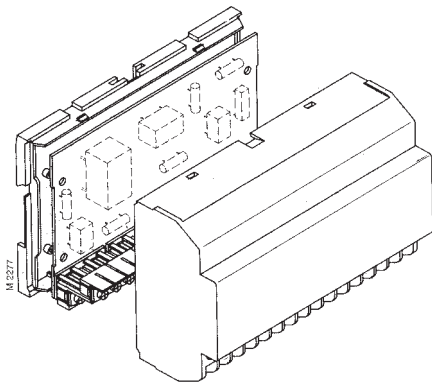
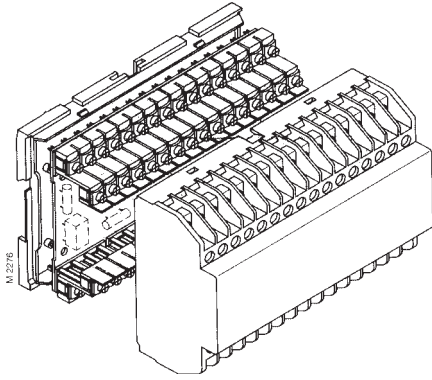
KU 4091.0037201



KU 4091.0037202



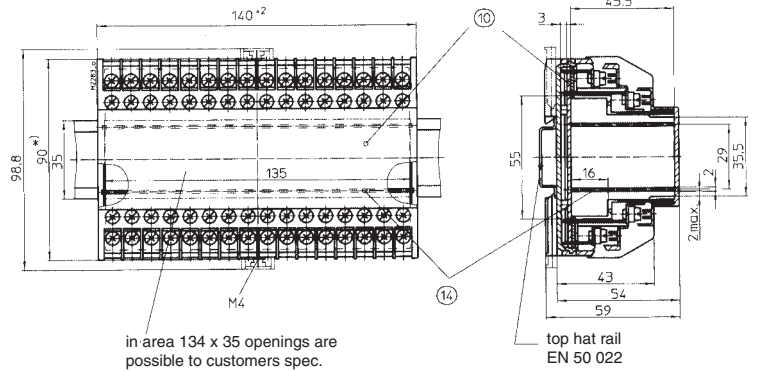
Exploded views



Dimensions Enclosure for horizontal PCB

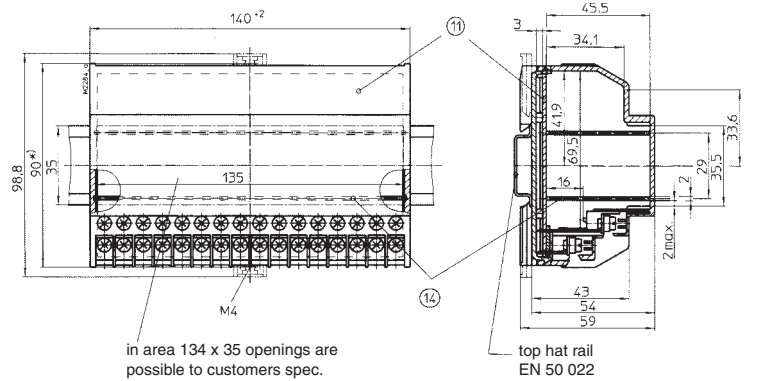
PCBs not included in deliveries

KU 4091.0036973



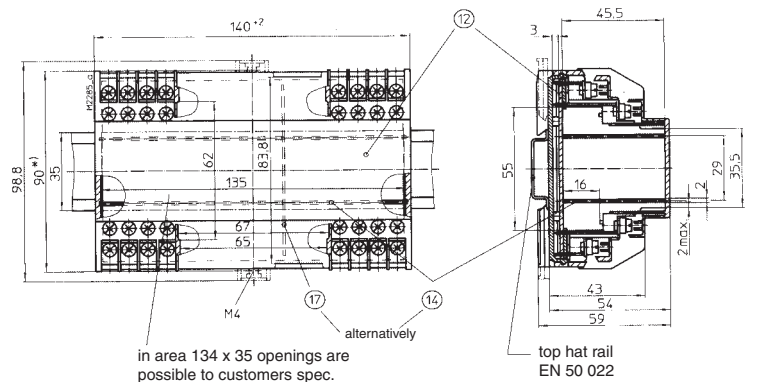
) 100 mm for use with 2 clips KU 4089-0-29, on request

KU 4091.0038002



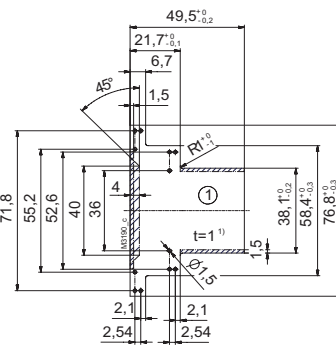
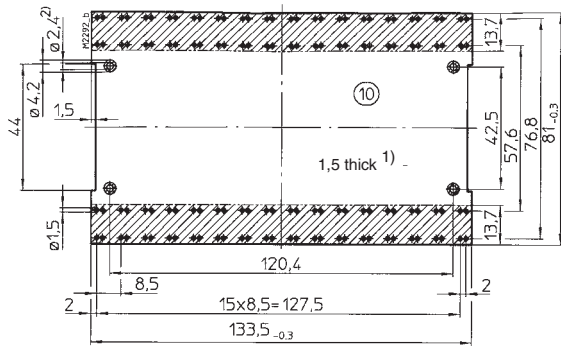
) 100 mm for use with 2 clips KU 4089-0-29, on request



KU 4091.0038001

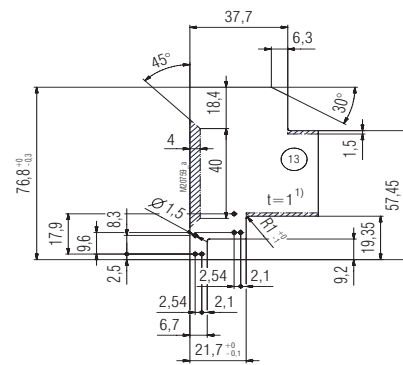
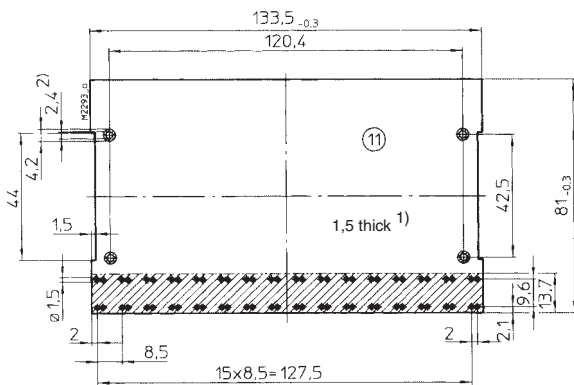



) 100 mm for use with 2 clips KU 4089-0-29, on request

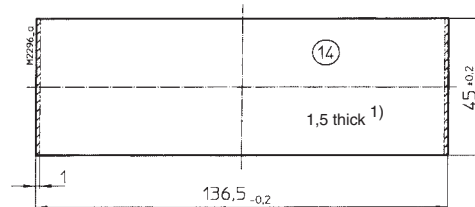
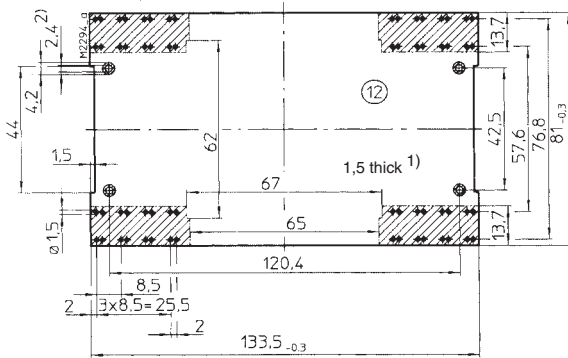
Printed circuit board designs




 inhibited surface component side
 inhibited surface solder side, component height max. 1mm
¹⁾ Tolerance to IPC-4101/21
 General tolerance: PERFAG 2 E

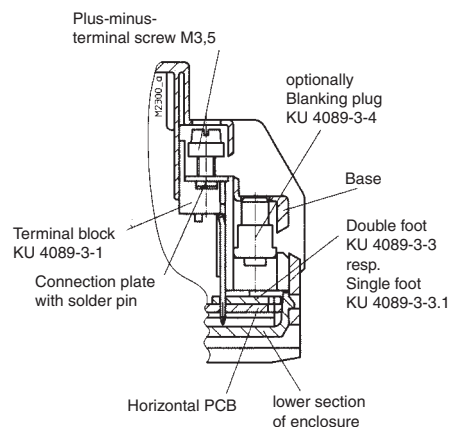
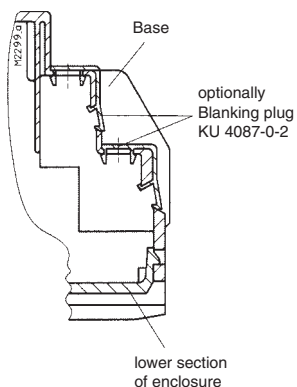


 Inhibited surface
¹⁾ Tolerance according to DIN EN 60249-2-4
 General tolerance: PERFAG 2 E

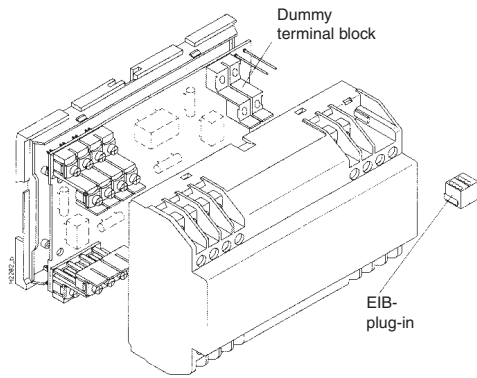


 Inhibited surface
¹⁾ Tolerance complying with IEC/EN 60249-2-4
²⁾ Hole \varnothing 2.4 on request for cylindrical screws
 ISO 1207 - M2 x 3 not included in deliveries

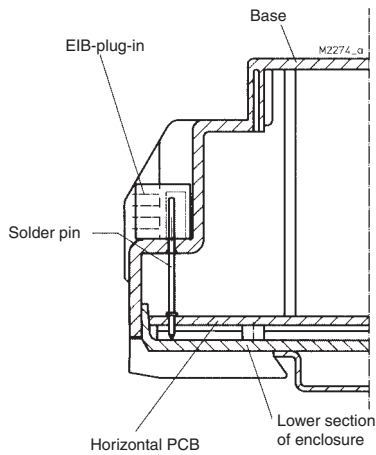
Accessories



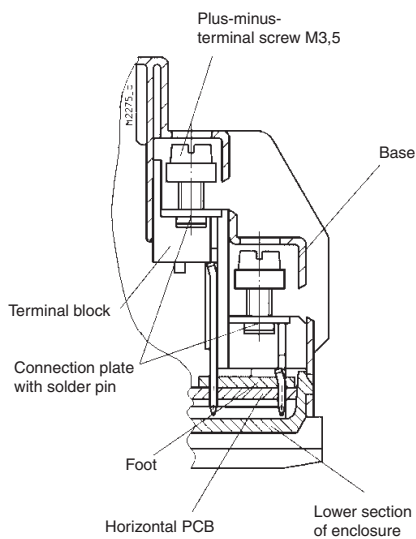
for EIB-plug-in (24-pole)



- Width 140 mm
- Useable for Sensor and Aktor modules in EIB-system
- For standard EIB-plug-in, 2-pole
- 24 plus-minus-terminal screws with self raising terminal washers
- Part insertion possible, available with blanking plugs



EIB-plug-in



Flat terminals for horizontal PCB

Order reference:
KU 4091.0047367

24 terminals, diagonally soldering of PCB for EIB-plug-in

EIB-plug-in
Contact pin:

Ø 1 mm, 25,5 mm large, soldering in PCB

Cross section for plug-in:

4 x 0,8 mm² solid, in plug-in technology

BUS-types:

YCYM 2 x 2 x 0,8
J-Y (ST) Y 2 x 2 x 0,8

Volatage EIB-system:

DC 24 V

KU 4089-3-1:

Dummy terminal block for horizontal PCB are included in delivery

Screw terminal

Number of terminals:

24, < 24 on request

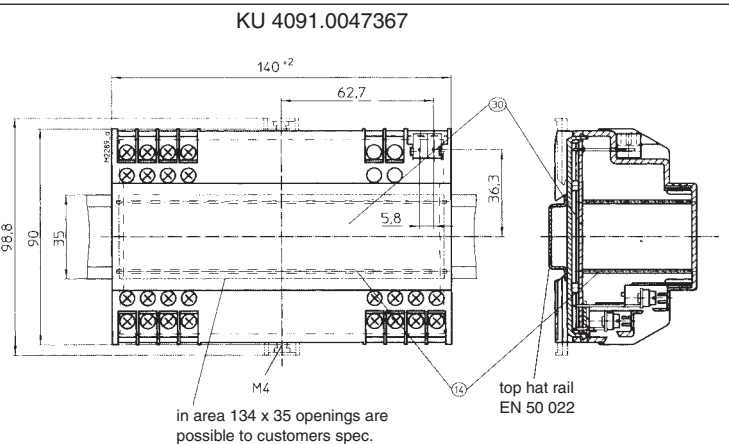
Further technical Data see standard enclosure KU 4091 to

DIN 43 880

Further accessories see standard enclosure KU 4091 to

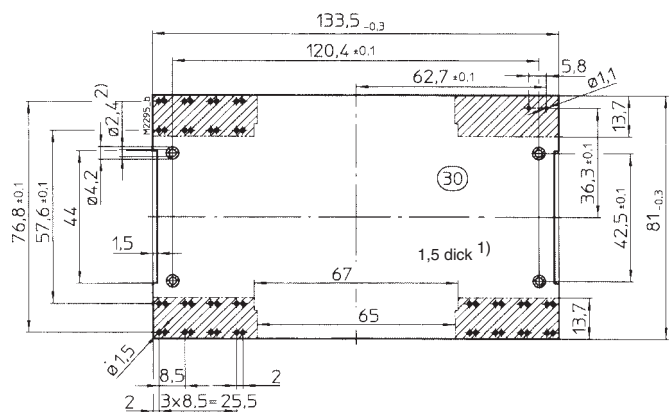
DIN 43 880

Dimension



PCBs not included in delivery; EIB-plug-in see accessories; PCB desing 14 see standard enclosure KU 4091 to DIN 43 880.

Printed circuit board design



▨ Inhibited surface

1) Tolerance complying with IEC/EN 60249-2-4

2) Hole Ø 2,4 on request for cylindrical screws ISO 1207 - M2 x 3 not included in deliveries

Cover with ventilation slots

Technical Data:

Max. permitted power dissipation: 22 W

Specific thermal resistance: $R_{th} = 2,5 \text{ K / W}$ for stand alone enclosure

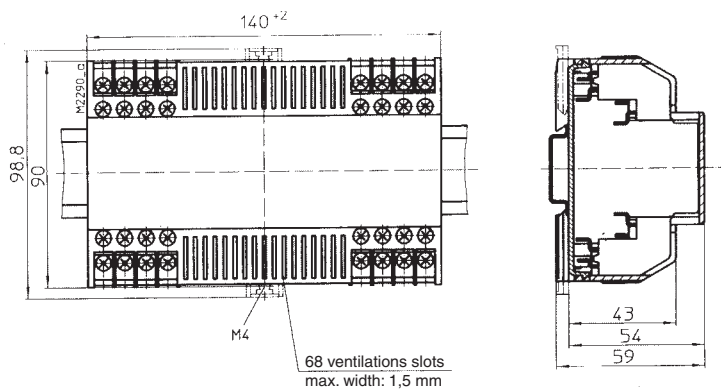
Type of protection

Enclosure: IP 30 IEC 60 529

Further technical Data see standard enclosure KU 4090, technical data see standard enclosure KU 4091

Dimensions

KU 4091.0047674 for vertical PCB



KU 4091.0047471 for horizontal PCB

