

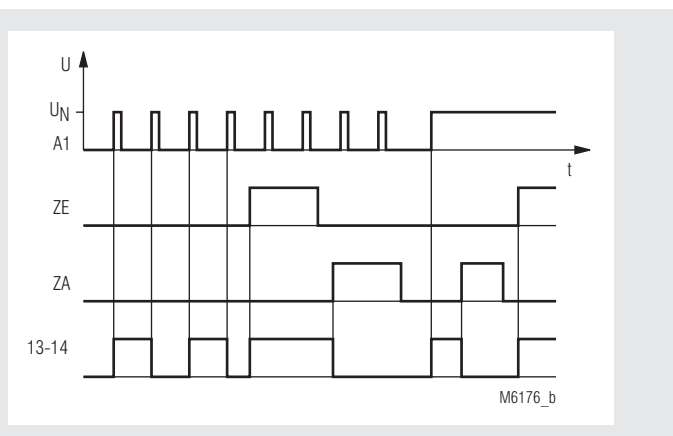
Remote switch for central switching operations IK 8807

Translation of the original instructions



- According to IEC/EN 60669
- When ZE or ZA is actuated, the pulse via room pushbuttons is ineffective
- 15 mA glow lamp load
- With 1 or 2 NO contacts as options
- Width 17.5 mm

Function diagram



Approvals and Markings

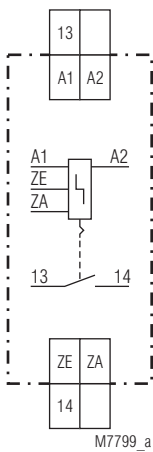


Function

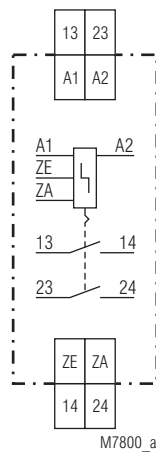
The remote switch IK 8807 enables central switching operations to be carried out, with which it is possible to switch several different groups of consumers on and off from a central location.

A remote switch that can be switched not only by room pushbuttons but also by central pushbuttons is necessary for each group of consumers. If a permanent signal is issued by a central pushbutton (or switch), the room pushbuttons are ineffective.

Circuit diagram



IK 8807.01



IK 8807.02

Notes

ZE, ZA and room pushbuttons have to be connected to the same phase. When the units are started up for the first time, the output relays can be moved to a specified position by applying the operating voltage to ZA for a short time. Unwired ZE or ZA inputs (and/or inputs that are not activated) must be free from potential and residual voltage. ZE/ZA should be activated via interface relays in critical cases. The parallel activation of several units via the room pushbutton input A1 is not allowed.

Technical Data

Input

| | |
|--|--------------------------------------|
| Nominal voltage U_N: | AC/DC 24 V AC 42 V, 220 ... 230 V |
| Voltage range: | 0.9 ... 1.1 U_N |
| Nominal consumption: | DC 24 V AC 230 V 0.3 W 1.2 VA |
| Nominal frequency: | 50 / 60 Hz |
| Frequency range: | $\pm 5 \%$ |
| Glow lamps parallel to the pushbutton: | Max. 30 à 0.5 mA each |
| Max. parallel capacity of the room pushbutton control line: | 2 μ F |
| of the ZE / ZA control line: | 0.33 μ F |
| Max. interference voltage on the inputs: | 2.5 kV |
| Minimum switching-on time: | 50 ms |
| Minimum pause time: | 2 s |

Output

| | |
|---|--|
| Contacts | |
| IK 8807.01: | 1 NO contact |
| IK 8807.02: | 2 NO contacts |
| Nominal output voltage: | AC 400 V |
| Switching capacity at lamp load: | 10 A / 230 V 10^5 switching cycles |
| Fluorescent lamp load: | 2000 W, 10^5 switching cycles (duo switching) |
| Bulb load: | 1000 W, 10^5 switching cycles |
| Thermal current I_{th}: | 10 A (see characteristics) |
| Switching frequency: | 1000 / h |
| Short circuit strength max. fuse rating: | 10 A gG / gL IEC/EN 60947-5-1 |
| Mechanical life: | $> 5 \times 10^7$ switching cycles |

General Data

| | |
|---|---|
| Operating mode: | Continuous operation |
| Temperature range: | - 20 ... 45 °C |
| Clearance and creepage distances | |
| Rated impulse voltage/ pollution degree: | 4 kV / 2 IEC 60664-1 |
| EMC | |
| Electrostatic discharge: | 8 kV (air) IEC/EN 61000-4-2 |
| HF irradiation: | 10 V / m IEC/EN 61000-4-3 |
| Fast transients: | 2 kV IEC/EN 61000-4-4 |
| Surge voltages between | |
| wires for power supply: | 1 kV IEC/EN 61000-4-5 |
| between wire and ground: | 2 kV IEC/EN 61000-4-5 |
| HF-wire guided: | 10 V IEC/EN 61000-4-6 |
| Interference suppression: | Limit value class B EN 55011 |
| Degree of protection | |
| Housing: | IP 30 IEC/EN 60529 |
| Terminals: | IP 20 IEC/EN 60529 |
| Housing: | Thermoplastic with V0 behaviour according to UL subject 94 |
| Vibration resistance: | Amplitude 0.35 mm IEC/EN 60068-2-6 frequency 10 ... 55 Hz |
| Climate resistance: | 20 / 045 / 04 IEC/EN 60068-1 |
| Terminal designation: | EN 50005 |
| Wire connection: | 2 x 2.5 mm ² solid or 2 x 1.5 mm ² stranded ferruled DIN 46228-1/-2/-3/-4 |
| Wire fixing: | Flat terminals with self-lifting clamping piece IEC/EN 60999-1 |
| Screw attachment: | Possible via extendable flaps |
| Mounting: | DIN rail IEC/EN 60715 |
| Weight: | 80 g |

Dimensions

Width x height x depth: 17.5 x 89 x 58 mm

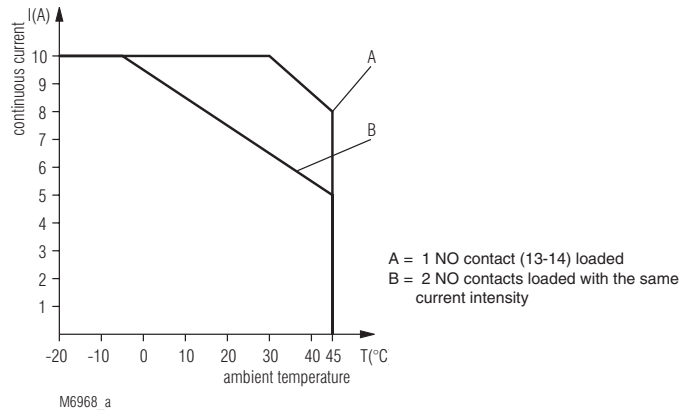
Standard type

| |
|------------------------------------|
| IK 8807.02 AC 230 V 50/60 Hz |
| Article number: 0037839 |
| • Output: 2 NO contacts |
| • Nominal voltage U_N : AC 230 V |
| • Width: 17.5 mm |

Ordering example

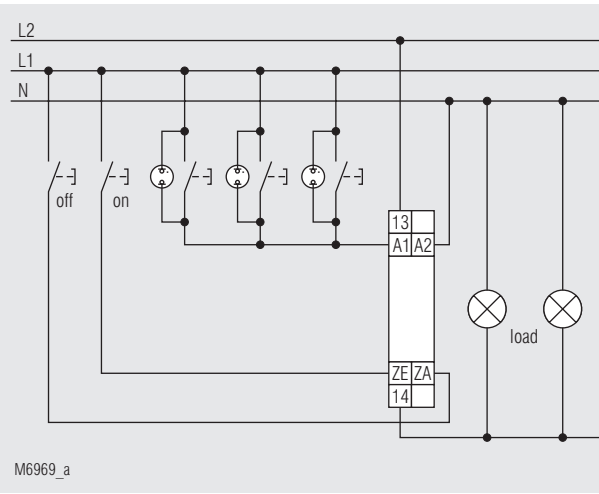
| | |
|---------------------------------|-------------------|
| IK 8807 .01 AC 230 V 50 / 60 Hz | |
| _____ | Nominal frequency |
| _____ | Nominal voltage |
| _____ | Contacts |
| _____ | Type |

Characteristics

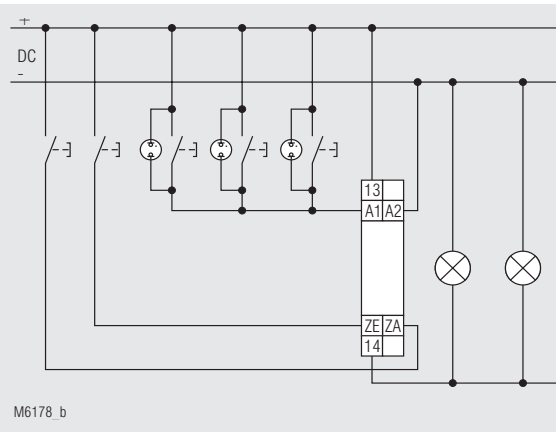


Permanent current curve in relation to the ambient temperature

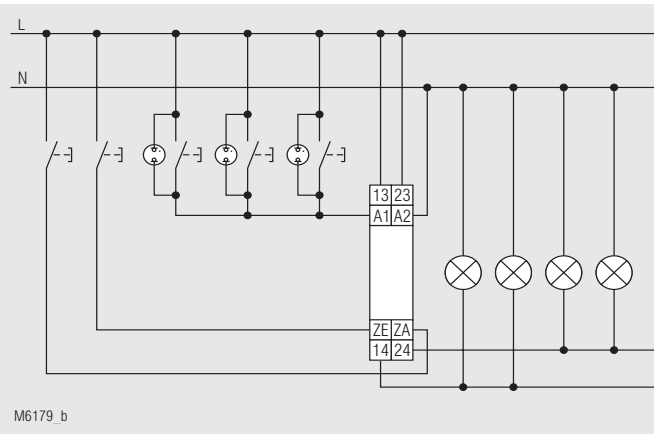
Connection examples



IK 8807.01



IK 8807.01 (DC activation)



IK 8807.02

