

## Test and Indication Panel UP 5864

Translation  
of the original instructions

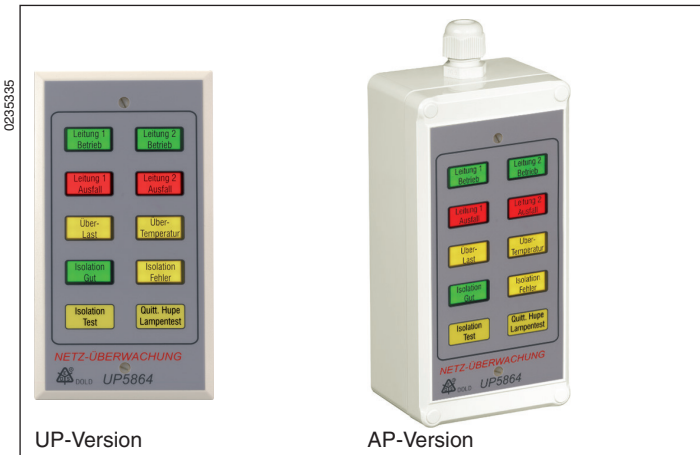


### Your Advantages

- Simple and easy to recognise signalling of mains status for applications according to DIN VDE 0100-710
- Audible and visible alarm

### Features

- Button for reset and lamp test
- External connection of reset- and lamp test button possible
- Button for function test
- Built in audible alarm
- De-energized on trip
- Flush mounting, surface mounting or built-in model



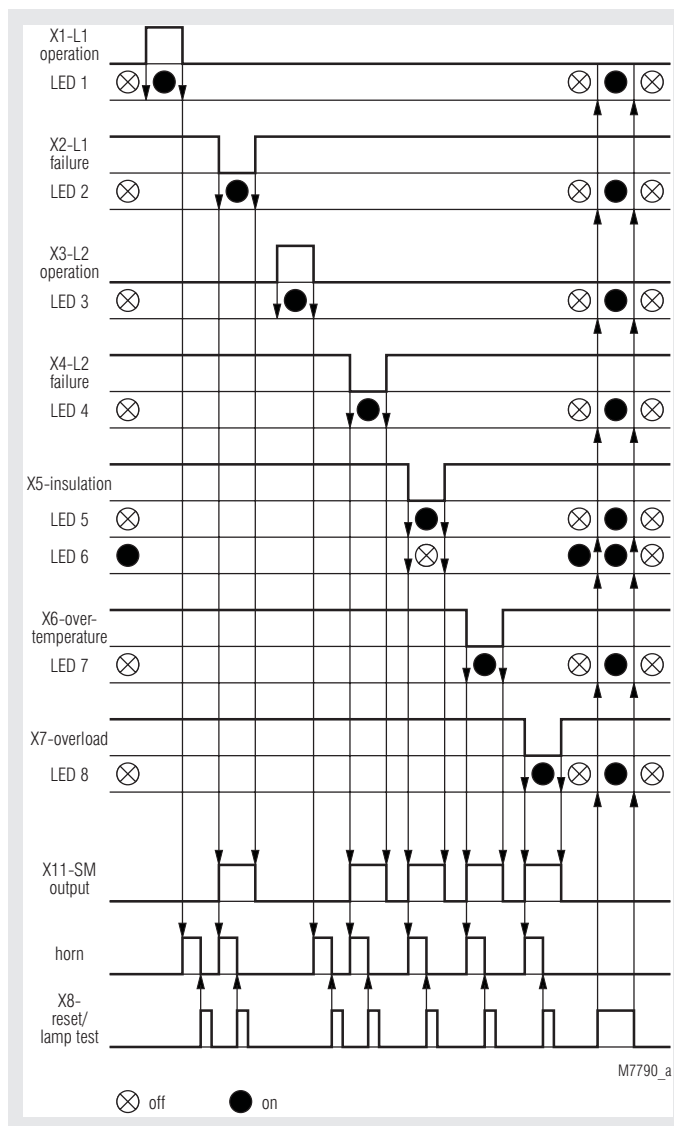
### Product Description

The test and indication panel UP5864 provides visual and audible indications of operational and alarm status in medically used rooms according to DIN VDE 0100-710. The device is available for flush mounting and surface mounting.

### Approvals and Markings



### Function Diagram

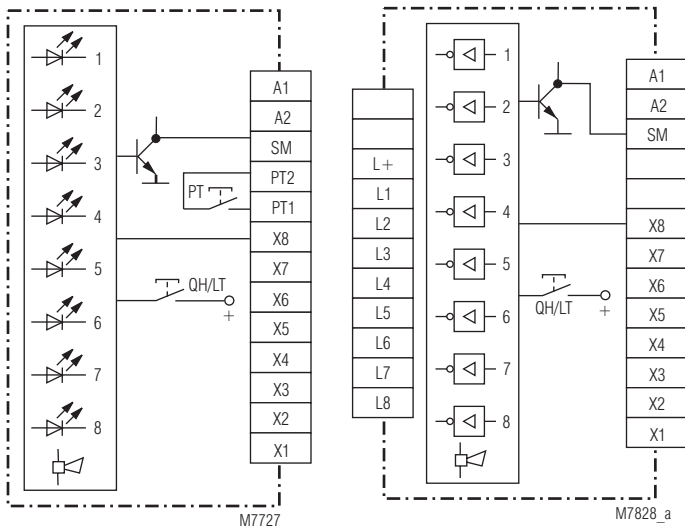


### Indication

LED indicators: On, when function active

Indicator:	Function
<b>Line 1 active</b>	The voltage supply comes from the preferred input
<b>Line 2 active and line 1 failure</b>	The voltage supply comes from line 2 because the preferred input is faulty
<b>Line 1 active and line 2 failure</b>	The voltage supply comes from the preferred input, but line 2 is not available
<b>Line 2 active and line 1 failure and line 2 failure</b>	The voltage supply comes from line 2 as line 1 is on failure and line 2 is on undervoltage
<b>Overload</b>	The IT-system takes to much curren
<b>Overtemperature</b>	The transformer for the IT-system is overloaded
<b>Insulation o.k</b>	The insulation resistance of the IT-system is high enough
<b>Insulation failure</b>	The insulation resistance of the IT-system is to low

## Circuit Diagrams



UP 5864

UP 5864/210

## Connection Terminals

Terminal designation	Signal description
A1, A2	Power supply of the device
X1 - X7	Signal inputs
X8	Reset audible alarm / lamp test
PT1 - PT 2	Function test for insulation monitor
SM	Semiconductor outputs for common alarm
L1 - L8	Outputs for lamps
L+	Supply for lamps

## Technical Data

### Input

<b>Nominal voltage <math>U_N</math>:</b>	AC/DC 24 V
<b>Voltage range:</b>	AC 0.8 ... 1.1 $U_N$ DC 0.9 ... 1.2 $U_N$
<b>Current per input:</b>	0.25 mA
<b>Nominal consumption:</b>	6 VA

### Output

<b>Semiconductor output SM:</b>	UP 5864.91	1 NO Transistor output
<b>Switching capacity of the semiconductor output:</b>	Switching voltage:	30 V
	Switching current max.:	100 mA
<b>Switching capacity of the lamp output:</b>	Switching voltage:	< 50 V
	Switching current max.:	50 mA

### General Data

<b>Operating mode:</b>	Continuous operation	
<b>Temperature range</b>	Operation: -20 ... + 45°C Storage: -25 ... + 60°C	
<b>Altitude:</b>	< 2000 m	
<b>Clearance and creepage distances</b>	Rated impulse voltage / pollution degree: 4 kV / 2 IEC 60664-1	
<b>EMC</b>	Electrostatic discharge: 8 kV (air) IEC/EN 61000-4-2	
	HF-irradiation	
	80 MHz ... 1 GHz:	10 V / m IEC/EN 61000-4-3
	1 GHz ... 2.7 GHz:	3 V / m IEC/EN 61000-4-3
	Fast transient:	2 kV IEC/EN 61000-4-4
	Surge voltage	
	Between power supply:	0,5 kV IEC/EN 61000-4-5
	Between wire and ground:	2 kV IEC/EN 61000-4-5
	Interference suppression:	Limit value class B EN 55011
<b>Degree of protection:</b>	Housing: IP 40 IEC/EN 60529	
	Terminals:	IP 20 IEC/EN 60529
<b>Housing:</b>	Thermoplastic with V0 behaviour to UL subject 94	
<b>Vibration resistance:</b>	Amplitude 0.35 mm, frequency 10 ... 55 Hz IEC/EN 60068-2-6	
<b>Climate resistance:</b>	20 / 045 / 04 IEC/EN 60068-1	
<b>Terminal designation:</b>	EN 50005	
<b>Wire connection:</b>	DIN 46228-1/-2/-3	
<b>Terminals fixed</b>	Cross section: 1 x 0.14 ... 1.5 mm <sup>2</sup> solid or stranded or 1 x 0.25 ... 0.5 mm <sup>2</sup> stranded wire with sleeve or 2 x 0.14 ... 0.5 mm <sup>2</sup> solid or 2 x 0.14 ... 0.34 mm <sup>2</sup> stranded	
	Insulation of wires or sleeve length:	5.0 mm
<b>Pluggable terminals</b>	Cross section: 1 x 0.14 ... 1.5 mm <sup>2</sup> solid or stranded or 1 x 0.25 ... 0.5 mm <sup>2</sup> stranded wire with sleeve or 2 x 0.08 ... 0.5 mm <sup>2</sup> solid or 2 x 0.08 ... 0.75 mm <sup>2</sup> stranded	
	Insulation of wires or sleeve length:	7.0 mm
<b>Wire fixing:</b>	Box terminal with wire protection	
<b>Fixing torque:</b>	0.22 ... 0.25 Nm	
<b>Weight:</b>	200 g	

### Dimensions

<b>Width x height x depth:</b>	
Flush mounting:	82 x 150 x 57 mm
Surface mounting:	80 x 160 x 57 mm

### Accessories

Power supply unit IP 5592/107: Article number: 0052956

### Standard Type

UP 5864 AC/DC 24 V

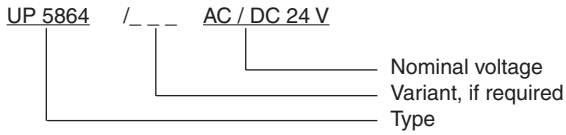
Article number: 0052311

- Nominal voltage  $U_N$ : AC/DC 24 V
- Flush mounting fixed terminals

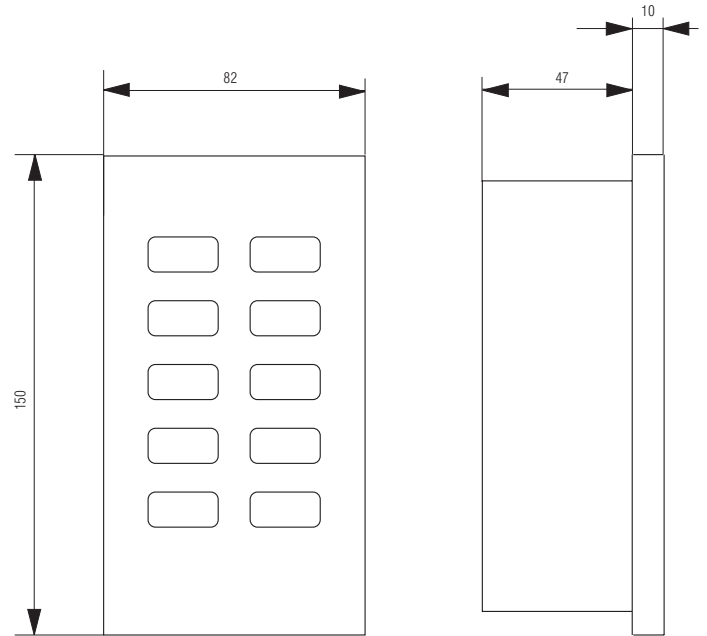
### Variants

- |              |                                       |
|--------------|---------------------------------------|
| UP 5864/010: | Flush mounting<br>plug-in terminals   |
| UP 5864/100: | Surface mounting<br>fixed terminals   |
| UP 5864/110: | Surface mounting<br>plug-in terminals |
| UP 5864/200: | Built-in model<br>fixed terminals     |
| UP 5864/210: | Built-in model<br>plug-in terminals   |

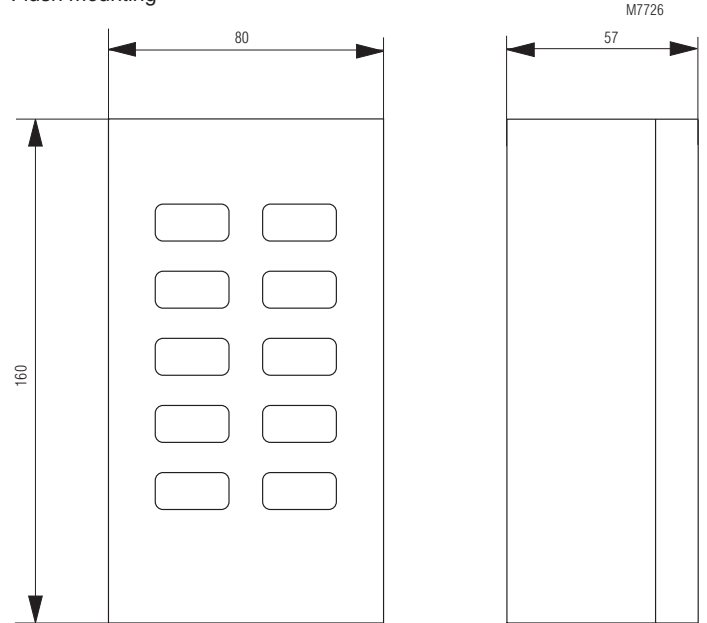
### Ordering example for variants



### Dimensions



Flush mounting

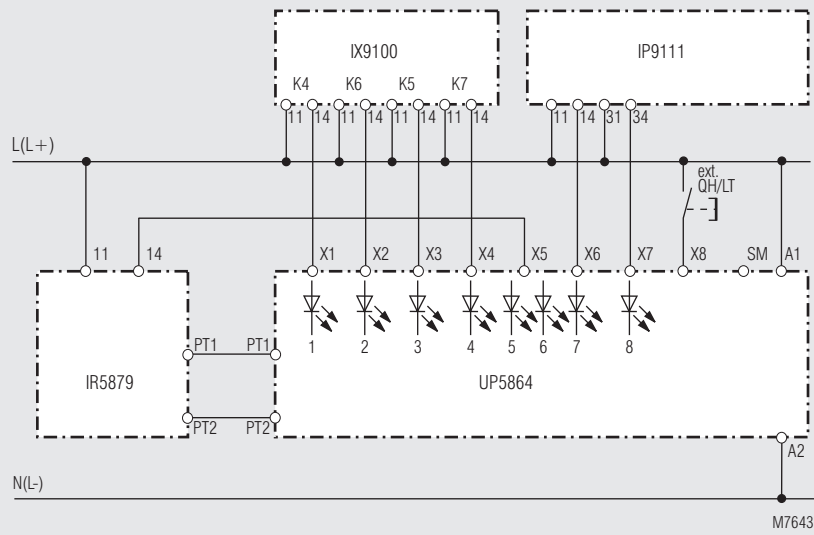


Surface mounting

M7726

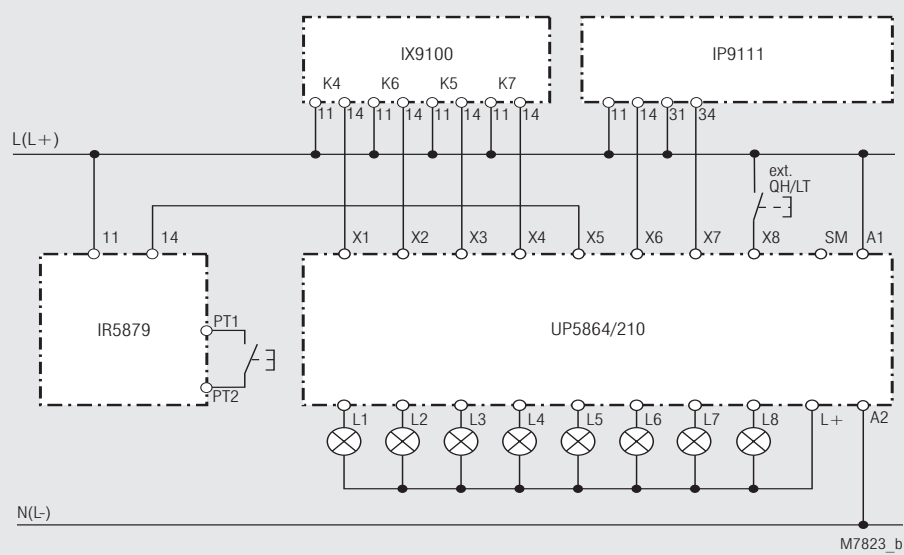
M7829

### Connection Example for Flush or Surface Mounting



- X1 - X7     Signal inputs
- X8         Reset audible alarm / lamp test
- SM         Common alarm
- PT1 - PT 2   Function test

### Connection Example (Built-in Model)



- X1 - X7     Signal inputs
- X8         Reset audible alarm / Lamp test
- SM         Common alarm
- PT1 - PT 2   Function test
- L1 - L8     Outputs for lamps
- L+         Supply for lamps