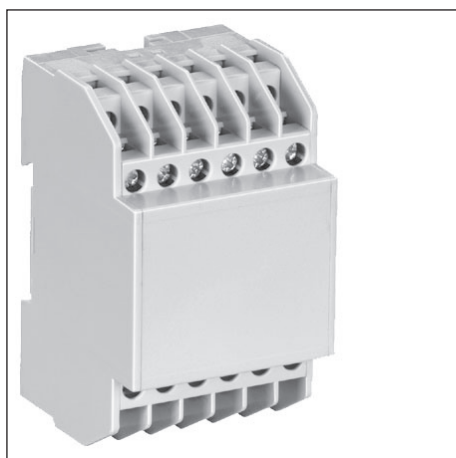
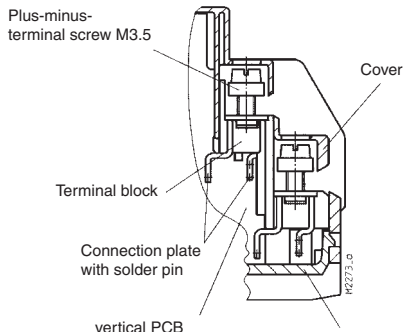


# Insulated Enclosure KU 4084

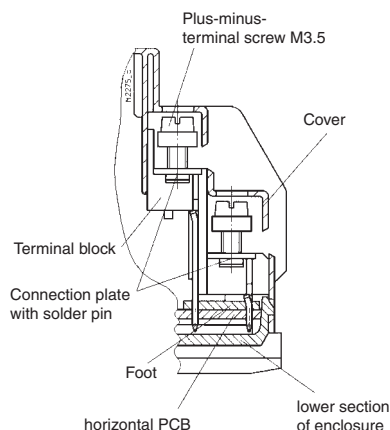
to DIN 43 880 for installation in distribution cabinets or surface mounting



- Width 52.5 mm
- Max. 24 plus-minus-terminal screws with self raising terminal washers.
- Secure termination of max. 2 connection wires of differing cross section
- Machine solderable connection pins, additional wire connection possible
- Housing supplied as single parts, terminals prefitted in terminal blocks



Flat terminals for vertical PCB



Flat terminals for horizontal PCB

## Technical Data

### Order references

KU 4084.0054355: for vertical PCB  
 KU 4084.0053940: for horizontal PCB

**Outer dimensions:** 52.5 x 90 x 58 mm

Enclosure material: PC - GF, light grey RAL 7035

| Temperature stability        |                 |
|------------------------------|-----------------|
| complying with UL 746 B:     | 125 °C          |
| complying with Vicat ISO 306 | Meth. B: 148 °C |
| complying with ISO 75-2      | Meth. A: 138 °C |
|                              | Meth. B: 144 °C |

Max. permitted power dissipation: 3 W at normal climate 23/50-1 ISO 554

Specific thermal resistance:  $R_{th} = 10 \text{ K/W}$  for stand-alone enclosure

Flame retardancy  
 complying with UL 94: V-0  
 complying with IEC 60 707: BH 2-30

**Number of terminals:** 24, < 24 on request

Terminal material: Steel strip, tin-plated

Max. cross section for connection: each  $2 \times 2.5 \text{ mm}^2$  solid  
 each  $2 \times 1.5 \text{ mm}^2$  stranded DIN 46 228-1/-2/-3/-4

Insulation of wires length: 10 mm

Max. contact resistance to printed circuit board: 20 mΩ

Max. current carrying capacity: 16 A

Wire fastening: Captive plus-minus-terminal screws M3.5 with self raising terminal washers.  
 Function complying with IEC 60 999-1

Torque: max. 0.8 Nm

Inner connection: Machine solderable connection pin for PCB and soldering lug for stranded

**Enclosure fastener:**  
 1) Snap-on fastener on top hat rail EN 50 022  
 2) Screw fixing M4, grid 90 mm with additional clip as accessory

Creepage current resistance CTI 175  $\approx$  Isolierstoff III a IEC 60 664-1

**Air gap and creepage distances** IEC 60 664-1

Vertical PCB: Air gap distance:  $\geq 4.0 \text{ mm}$   
 Creepage distance:  $\geq 6.3 \text{ mm}$

Horizontal PCB:  $\geq 3.2 \text{ mm}$

### Type of protection

Enclosure: IP 40 IEC 60 529  
 Terminals: IP 20 IEC 60 529  
 Contact protection complies with VBG 4

Print area: 68 x 42 mm

**Printed circuit board:** See printed circuit board design

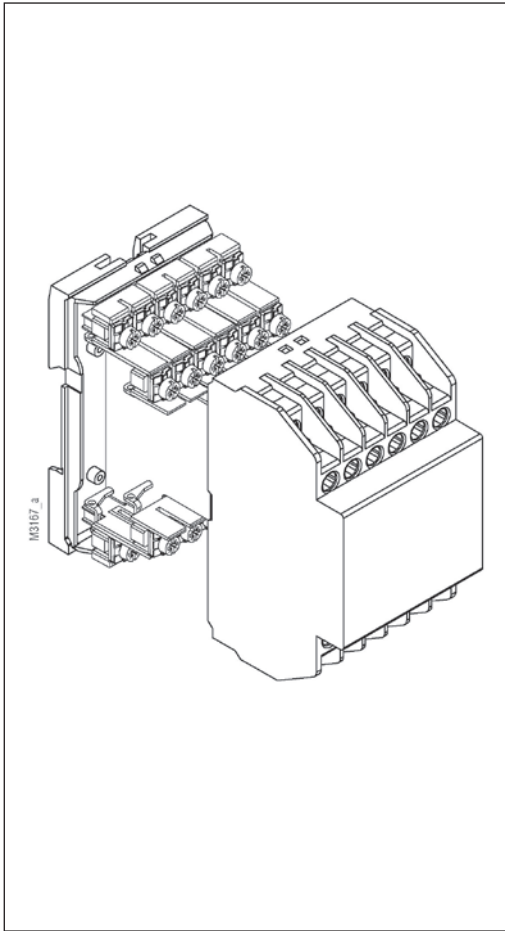
Printed circuit board holder: Guide ribs

Net weight: 120 g

### Accessories:

ET 4086-0-2: Second clip for screw fixing  
 KU 4089-3-4: Blanking plug for terminal block  
 KU 4087-0-2: Blanking plug for Enclosure base  
 KU 4087-2-1: Dummy terminal block for vertical PCB  
 KU 4089-3-1: Dummy terminal block for horizontal PCB  
 KU 4089-3-3: Double foot, for KU 4089-3-1 necessary, 2 pieces KU 4089-3-1 mounted on double foot  
 KU 4089-3-3.1: Foot, for KU 4089-3-1 necessary, 1 piece KU 4089-3-1 mounted on foot

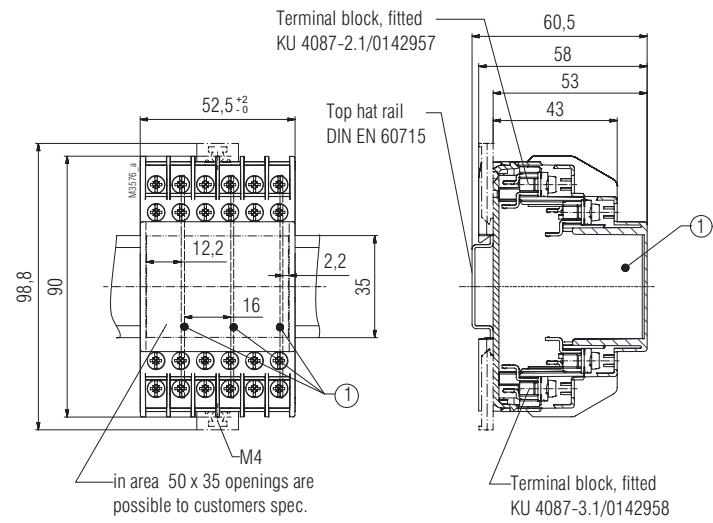
### Exploded view



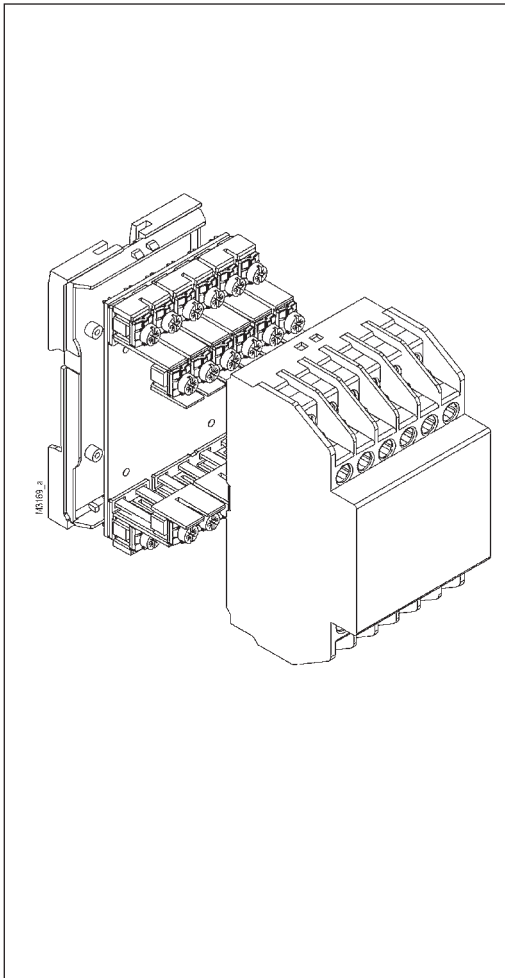
### Dimensions Enclosure for vertical PCB

PCBs not included in deliveries

KU 4084.0054355



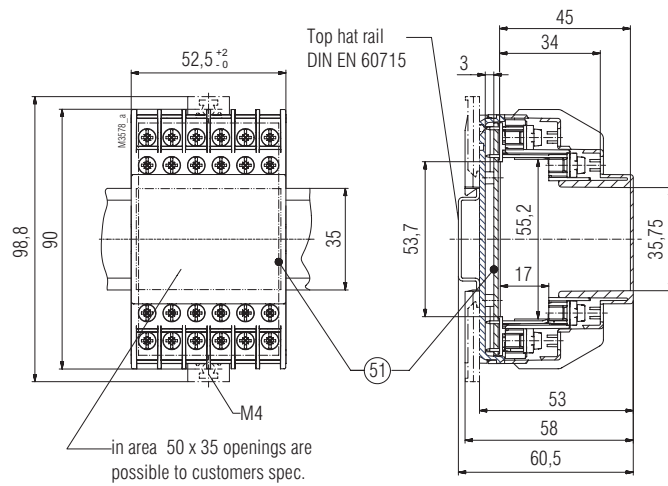
### Exploded view



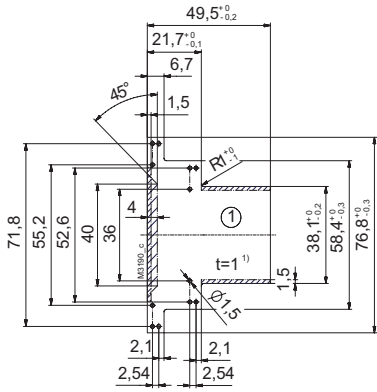
### Dimensions Enclosure for horizontal PCB

PCBs not included in deliveries

KU 4084.0053940

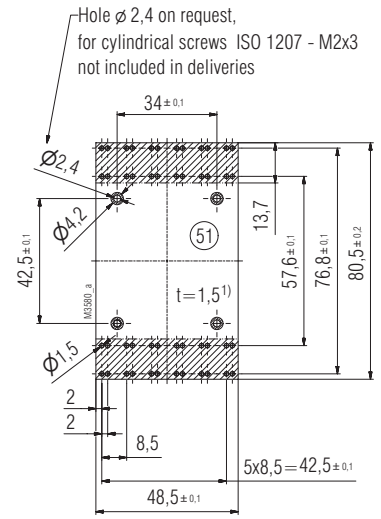


# Printed circuit board design



- inhibited surface component side
- inhibited surface solder side, component height max. 1mm
- 1) Tolerance to IPC-4101/21
- General tolerance: PERFAG 2 E

## View from component side



- inhibited surface
- 1) Tolerance complying with IEC 60 249-2-4

# Accessories

