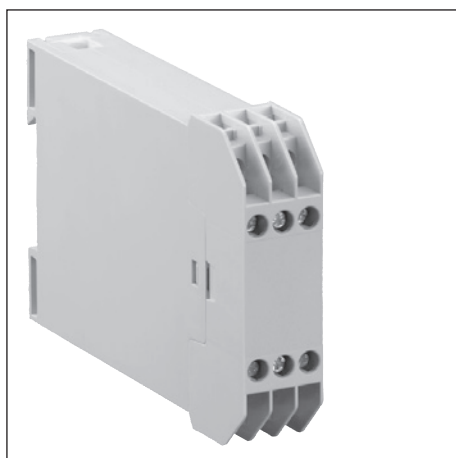
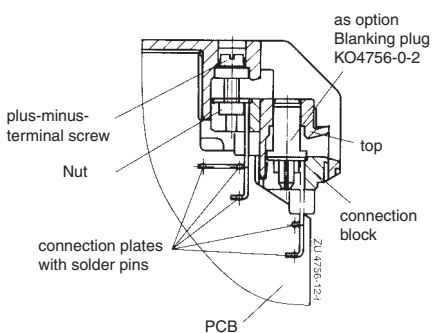


Insulated Enclosure KO 4757

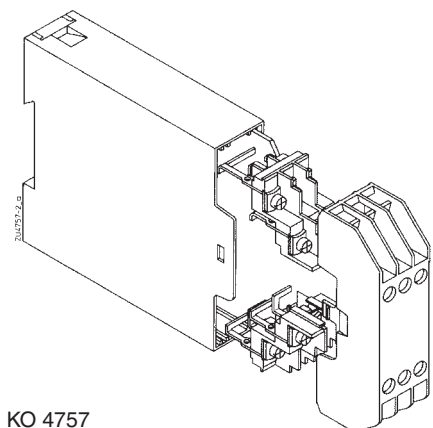
with flat terminal
for machine soldering



- Width 22.5 mm
- Max. 12 plus-minus captive terminal screws with self-raising terminal washers
- Secure clamping of max. 2 connection wires with differing cross section
- Machine solderable connections, stranded cable connection possible
- Large area für control and indicating components and legends.
- Housing supplied as single parts, terminals prefitted in terminal blocks



Flat terminal for machine soldering



Technical data

Order reference: KO 4057.0046336
Outer dimensions: 22.5 x 82 x 118.2 mm
 Enclosure material: PC-GF light grey RAL 7035

Temperature stability:	PC
complying with UL 746 B:	125 °C
complying with Vicat	
ISO 306 Meth. B:	148 °C
compl. with ISO 75-2 Meth. A:	138 °C
Meth. B:	144 °C

Max. permitted power dissipation: at normal climate 23 / 50-1 ISO 554

Enclosure gap	Power dissipation P _v
0 mm	4 W
16 mm	7.5 W
∞	10 W

Specific thermal resistance: R_{th} = 10 K / W for stand-alone enclosure

Flame retardancy complying with UL 94: V-0
 complying with IEC 60707: BH 2-30

Number of terminals: Max. 12, numbered inside from 1 to 6

Terminal material: steel strip, tin-plated

Max. cross section for connection: max. 2 x 2,5 mm² solid
 max. 2 x 1.5 mm² stranded ferruled DIN 46228-1/-2/-3
 max. 2 x 1 mm² stranded ferruled DIN 46228-4
 8 mm

Insulation of wires length:

Max. cross resistance to printed circuit board: 20 mΩ

Max. current carrying capacity: 20 A

Wire fastening: Plus-minus terminal screws M3.5 with self-raising terminal washers, Function complying with IEC 60999-1

Torque: max. 0.4 Nm

Inner connection: machine solderable pins for PCB and solder points for strands wire ø1.8 mm max.

Enclosure fastener: 1) Snap-on fastener on top hat rail EN 60715
 2) Screw fastening possible with retractable lugs, fastening dimension 80 mm, for 2 M4 screws

Creepage current resistance

PC: CTI 175 ≙ insulating material III a IEC 60664-1

Air gap and creepage distances: Air gap ≥ 3.2 mm IEC 60664-1
 Creepage distance ≥ 5.0 mm

Type of protection: Enclosure IP 40 IEC 60529
 Terminals IP 20 IEC 60529
 unmounted terminals: IP 20
 unmounted terminals with blanking plug: IP 40

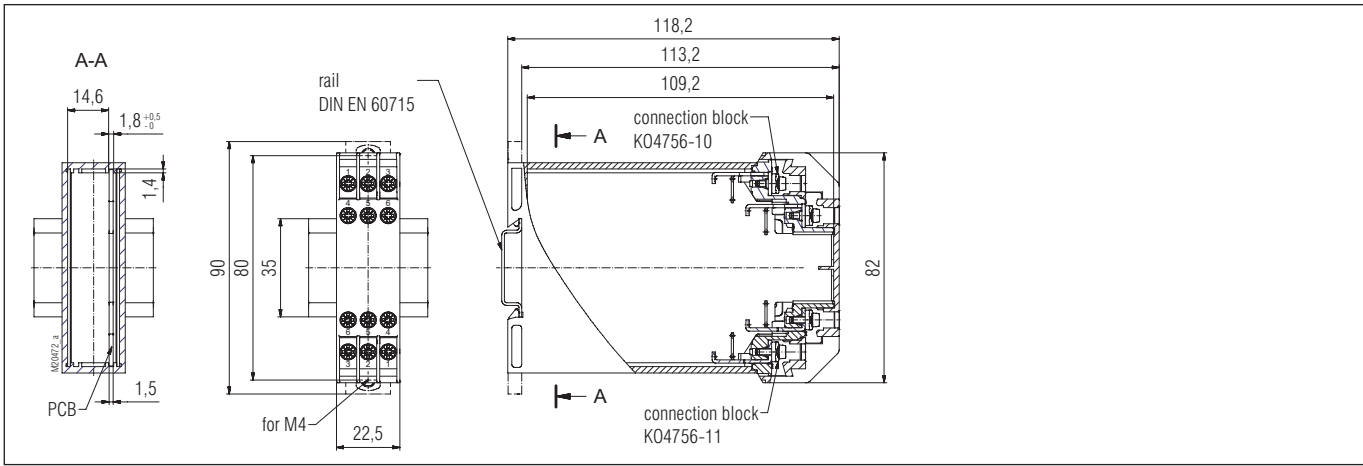
Print area: 30 x 21.5 mm

Printed circuit board: see Printed circuit board design

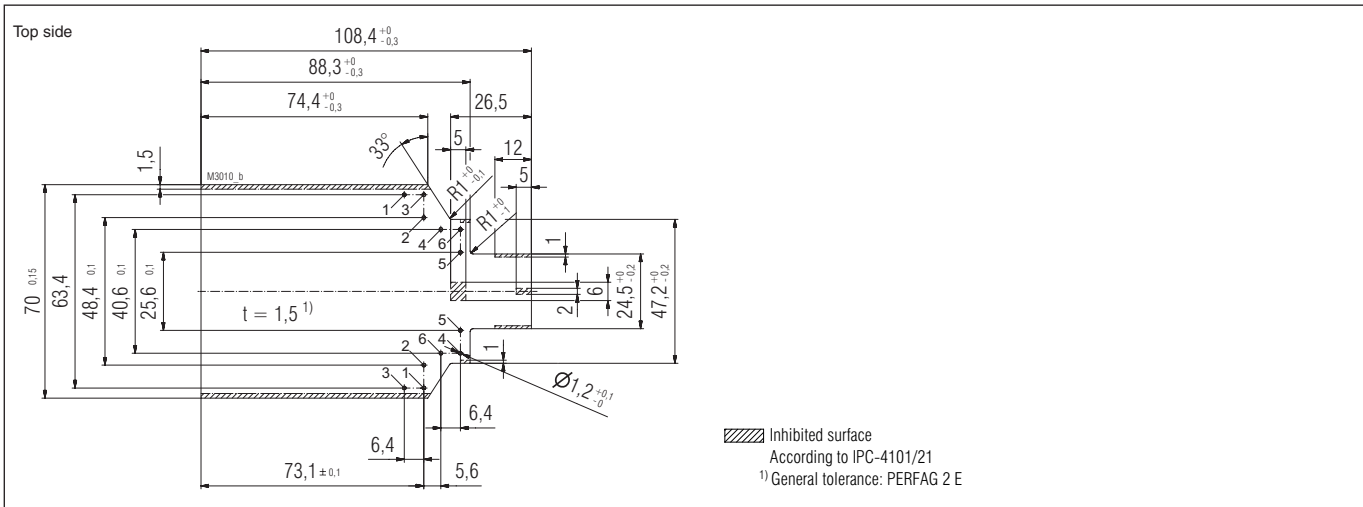
Printed circuit board holder: Guides in base and terminal plate

Accessories: KO 4756-0-2 Blanking plug

Dimensions



Printed circuit board design



Mask for a solder frame

