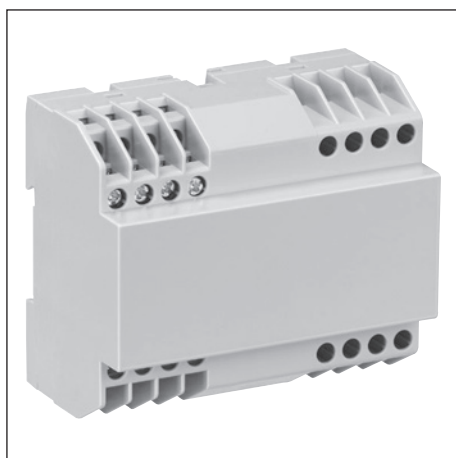
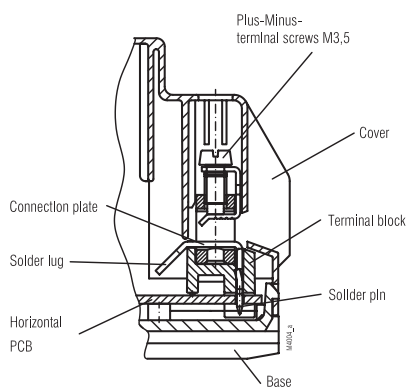


Insulated Enclosure KU 4090

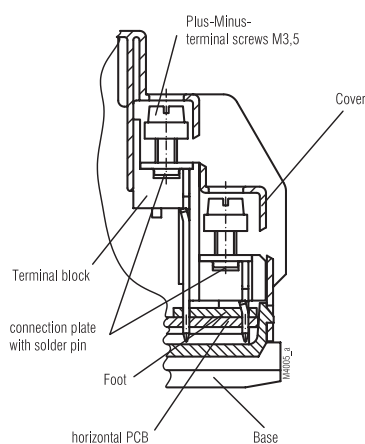
to DIN 43 880 for installation in distribution cabinets or surface mounting, with high current terminals and flat terminals



- Breite 105 mm
- max 8 current terminals and 16 flat terminals
- High current terminals for horizontal PCB or without PCB
- Flat terminals for vertical or horizontal PCB
- Machine soldered connections
- Housing supplied as single parts, terminals prefitted in terminal blocks



High current terminal for horizontal PCB



Flat terminal for horizontal PCB

Technical Data

Order references

| | |
|--------------------------|-----------------------------|
| vertical PCB: | KU 4090.0054449 |
| horizontal PCB: | KU 4090.0054420 |
| Outer dimensions: | 105 x 90 x 59 mm |
| Enclosure material: | PC - GF, lichtgrau RAL 7035 |

| | | |
|--------------------------|----------|--------|
| Temperature stability: | | |
| complying with UL 746 B: | | 125 °C |
| complying with Vicat | | |
| ISO 306 | Meth. B: | 148 °C |
| compl. with ISO 75-2 | Meth. A: | 138 °C |
| | Meth. B: | 144 °C |

Max. permitted power dissipation: 11 W for stand alone enclosure at normal climate 23/50-1 ISO 554

Specific thermal resistance: $R_{th} = 5,2 \text{ K / W}$ for stand alone enclosure

Flame retardancy complying with UL 94: V-0
complying with IEC 60 707: BH 2-30

Number of terminals. 8 current terminals, part insertion, on request
16 Flat terminals, part insertion, on request

| | High current terminals | Flat terminals, standard |
|---|--|---|
| Terminal material: | E - Copper, tin-plated | Steel strip, tin-plated |
| Max. cross section for connection: | 1 x 10 mm ² solid | 2 x 2.5 mm ² solid 2 x 1.5 mm ² stranded ferruled DIN 46228-1/-2/-3 |
| | 1 x 6 mm ² stranded ferruled 12 mm large DIN 46228 not B | 2 x 1 mm ² stranded ferruled DIN 46228-4 |
| Min. cross section for connection: | ≥ 1 mm ² solid ≥ 0.5 mm ² stranded ferruled | 1 x 0.3 mm ² solid or 1 x 0.5 mm ² stranded ferruled DIN 46228-1/-2/-3/-4 |
| | | 9 - 10 mm |
| Insulation of wires length: | 11 mm | |
| Max. contact resistance to printed circuit board: | 10 mΩ | 10 mΩ |
| Max. current carrying capacity: | 50 A | 16 A |
| Wire fastening: | Captive Plus-minus terminal M4 Box terminal with self raising wire protection | Captive Plus-minus terminal M3,5 with self raising terminal washers |

Require tool: Screwdriver ISO 2380-1
Screwdriver ISO 8764-Z

Torque: max. 0.8 Nm

Inner connection: Machine solderable terminal blocks for PCB, high current terminal with lugs for solder connection with stranded

Enclosure fastener: 1) Snap-on fastener on top hat rail EN 50 022
2) Screw fixing M4, grid 90 mm with additional clip as accessory

Creepage current resistance: Insulated group III a IEC 60664-1

Air gap and creepage distances IEC 60664-1

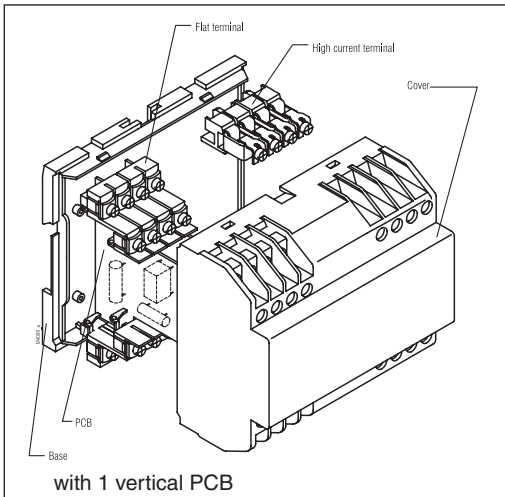
High current terminals: out: ≥ 8.0 mm; in: ≥ 5.0 mm
Flat terminals
vertical PCB: Air gap: ≥ 4.0 mm; Creepage: ≥ 6.3 mm
horizontal PCB: ≥ 3.2 mm IEC 60664-1

Type of protection
Enclosure: IP 40 IEC 60529
Terminals: IP 20 IEC 60529
Contact protection complies VBG 4

Print area: 33 x 42 mm / 67 x 42 mm, on the front

| | |
|-------------------------------|---|
| Printed circuit board: | see printed circuit board design |
| Printed circuit board holder: | Fixing eyes in the lower section of enclosure resp. guide ribs in the base |
| Net weight: | 190 g |
| Accessories: | |
| ET 4086-0-2: | Second clip for screw fixing |
| KU 4087-0-2: | Blanking plug for flat terminal |
| KU 4087-21-3: | Blanking plug for high current terminal |
| Special version, on request: | e. g. openings in the front |

Exploded view



with 1 vertical PCB

Connection plate for high current terminals

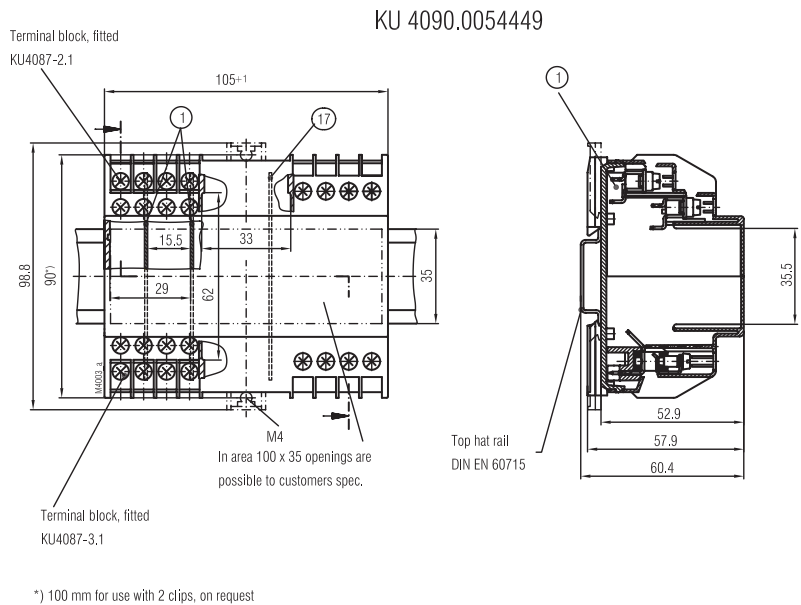


- Solder lug for stranded up to 4 mm²
- Pin off-set 2,54 mm²
- Pin cross section each 1 mm²

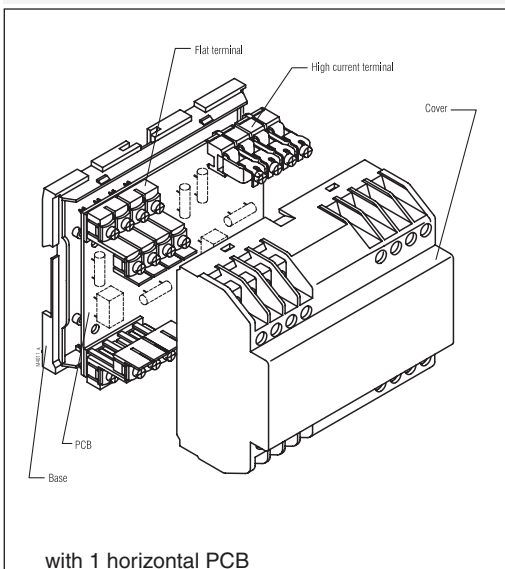
Easy assembly of fine wires

Dimensions Enclosure for vertical PCB

PCBs not included in deliveries



Exploded view



with 1 horizontal PCB

Connection plate for high current terminals

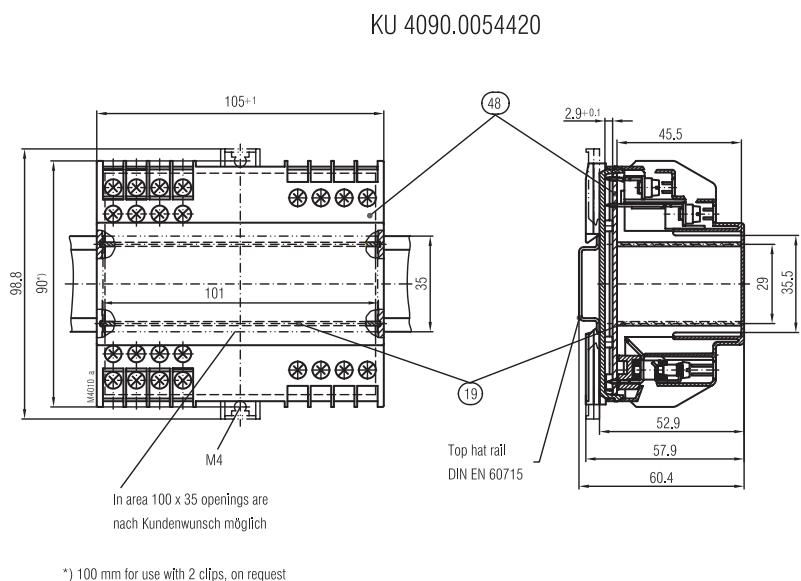


- Solder lug for stranded up to 4 mm²
- Pin off-set 2,54 mm²
- Pin cross section each 1 mm²

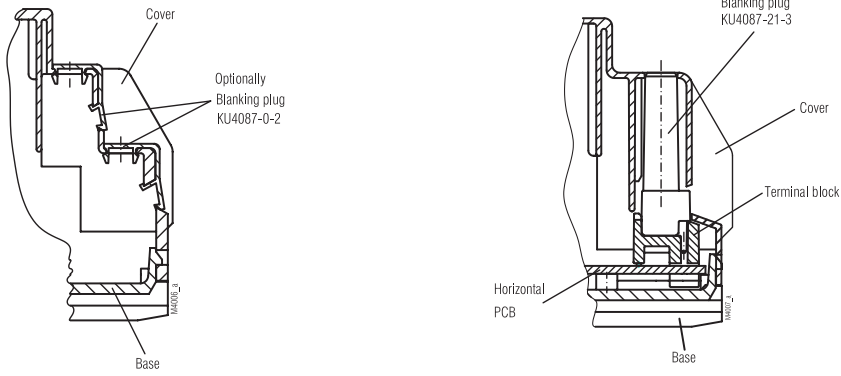
Easy assembly of fine wires

Dimensions Enclosure for horizontal PCB

PCBs not included in deliveries



Accessories



Variante

Connection plate KU 4087-21-2.2
Easy assembly of heavy wires due to
terminal blocks in the cover

