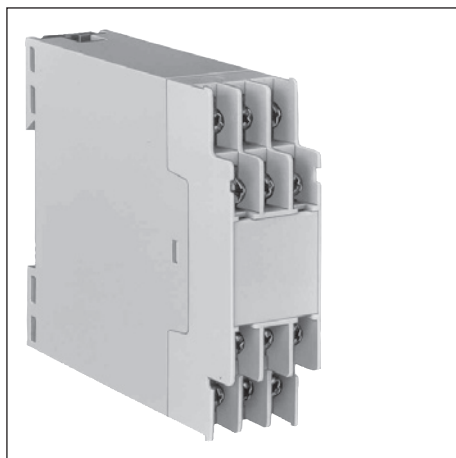


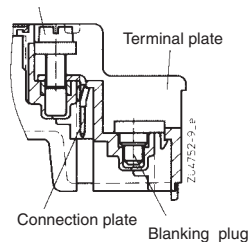
Insulated Enclosure KO 4752

with flat terminal
for solder connection

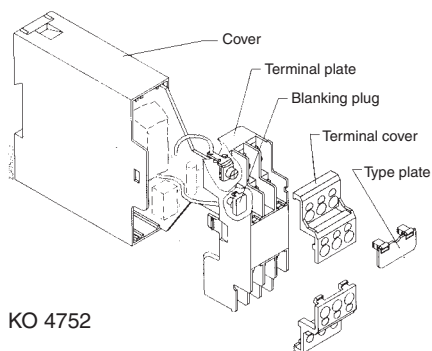


- Width 22.5 mm
- Max. 12 plus-minus-terminals screws with self raising terminal washers
- With flat connector A 2,8 x 0,8 DIN 46 244 (on request)
- Electrical connection of printed circuit board to terminal via wire strands
- Mounting of SMD components possible on soldering side
- Blind plugs possible in place of connection terminals
- Optionally with terminal covers for contact protection complies with VBG 4

plus-minus-terminal screw M2,5



Flat terminal for solder connection



KO 4752

Technical data

Order reference: KO 4752.097.12.01.001
Outer dimensions: 22.5 x 75 x 97 mm
 Enclosure material: PC-GF light grey RAL 7035

Temperature stability:	PC
complying with UL 746 B:	125 °C
complying with Vicat	
ISO 306 Meth. B:	148 °C
compl. with ISO 75-2 Meth. A:	138 °C
Meth. B:	144 °C

Max. permitted power dissipation: at normal climate 23 / 50-1 ISO 554

Enclosure gap	Power dissipation P_v
0 mm	4 W
16 mm	7.5 W
∞	10 W

Enclosure gap	Specific thermal resistance
0 mm	$R_{th} = 26 \text{ K/W}$
∞	$R_{th} = 10 \text{ K/W}$

Specific thermal resistance:

Flame retardancy
 complying with UL 94: V-0
 complying with IEC 60707: BH 2-30

Number of terminals: 12, outside without lettering, numbered inside from 1 to 12, < 12 on request

Terminal material: steel strip, tin-plated

Max. cross section for connection: 2 x 2.5 mm² solid or
 2 x 1.5 mm² stranded ferruled DIN 46228-1/-2/-3
 2 x 0.75 mm² stranded ferruled DIN 46228-4

Min. cross section for connection: 0.5 mm² solid or
 stranded ferruled

Insulation of wires length: 8 mm

Max. current carrying capacity: 20 A

Wire fastening: Plus-minus terminal screws (M3.5) with self-raising terminal washers, Function complying with IEC 60999-1

Torque: max. 0.4 Nm

Inner connection: Lugs for solder connection or connector sleeves complying with DIN 46247-1

Enclosure fastener:
 1) Snap-on fastener on top hat rail EN 60715
 2) Screw fastening possible with retractable lugs, fastening dimension 80 mm, for 2 M4 screws

Creepage current resistance
 PC: CTI 175 $\hat{=}$ insulating material III a IEC 60664-1

Air gap and creepage distances: Air gap \geq 4 mm IEC 60664-1
 Creepage distance \geq 6.3 mm

Type of protection:
 a) Enclosure IP 30 (with terminal cover IP 40) IEC 60529
 b) Terminals IP 10 (with terminal cover IP 20 and contact protection complies with VBG 4) IEC 60529

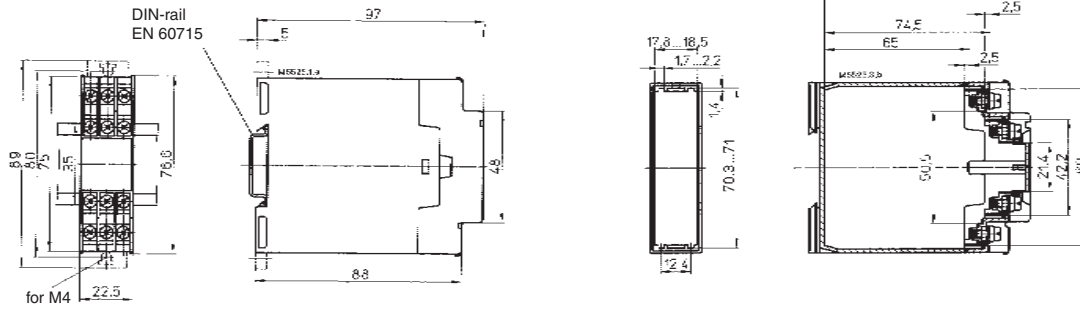
Print area: In terminal plate, 0.4 mm recess for label 21 x 22 mm

Printed circuit board: see Printed circuit board design

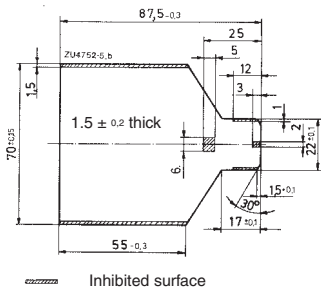
Printed circuit board holder: Guides in base and terminal plate

Accessories:
 (on demand): Terminal covers ET 4752-2-4 and ET 4752-2-5 \geq 1 pair available in PC, clear
 Blanking plug ET 4752-0-81 PC light grey
 Type plate ET 4752-143 PC light grey

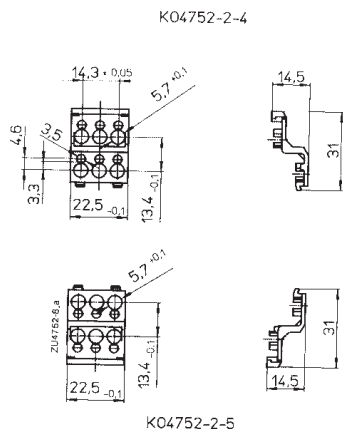
Dimension drawings



Printed circuit board design



Terminal cover



Type plate

