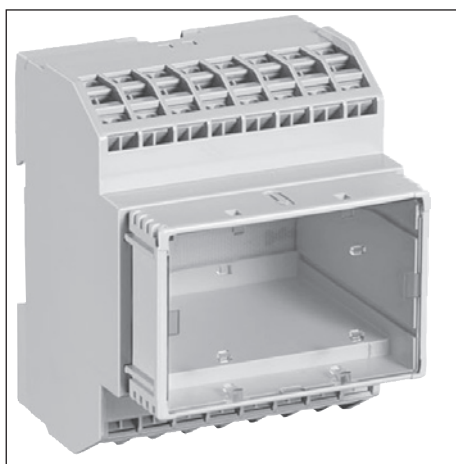
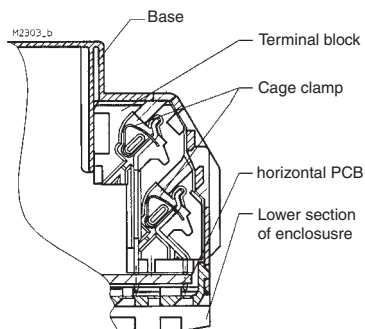


# Insulated Enclosure KU 4052

to DIN 43 880 for installation in distribution cabinets or surface mounting, with plug-in relay-module-carrier and cage clamp terminals



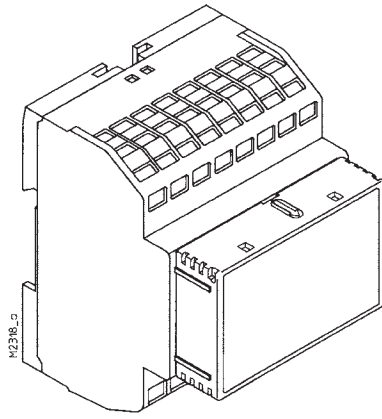
- Width 70 mm
- Ideal for building-in of BUS compatible equipment
- Plug-in carriers for Field-BUS specific control modules, providing an excellent compatibility with the field-bus system
- Quick changeover of carriers
- Max. 32 terminals with each 2 cage clamp terminals
- Will take one PCB on the base and two PCBs in the carriers
- Machine solderable connections
- Housing supplied as single parts, terminals prefitted in terminal blocks



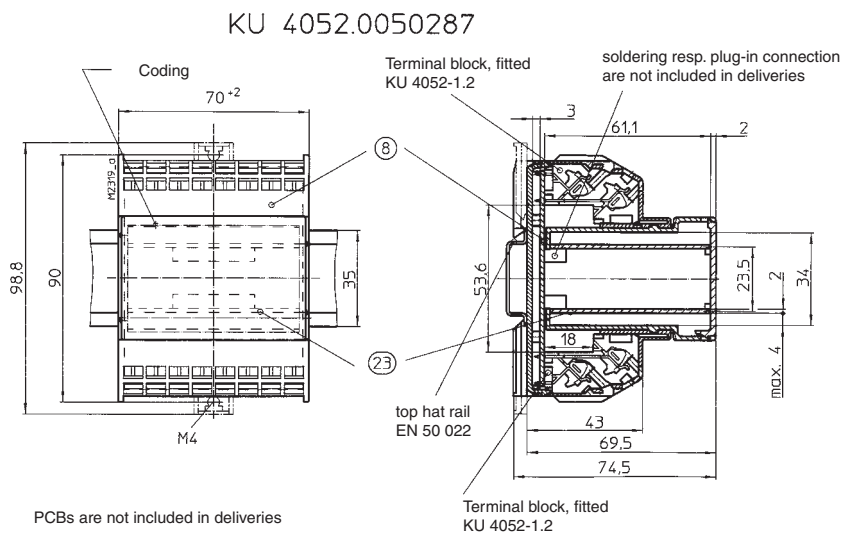
## Technica Data

Order reference:	KU 4052.0050287		
<b>Outer dimensions:</b>	70 x 90 x 74,5 mm		
Enclosure material:	PC-GF, light grey RAL 7035; Plate: PC, clear		
Temperature stability:	Enclosure: PC light grey	Plate: PC clear	
complying with UL 746 B:	125 °C	115 °C	
complying with Vicat ISO 306	Meth. B: 148 °C	145 °C	
complying with ISO 75-2	Meth. A: 138 °C	126 °C	
	Meth. B: 144 °C	136 °C	
Max. permitted power dissipation:	8 W at normal climate 23/50-1	ISO 554	
Specific thermal resistance:	R <sub>th</sub> = 8 K / W		
Flame retardancy complying with UL 94:	Enclosure: V-0	Plate, clear: V-2	
complying with IEC 60 707:	BH 2-30		
<b>Number of terminals:</b>	32, < 32 on request		
Terminal material:	High grade steel / Copper alloy, tin-plated		
Max. cross section for enclosure:	2 x 1,5 mm <sup>2</sup> solid or 2 x 1,5 mm <sup>2</sup> stranded or 2 x 1 mm <sup>2</sup> stranded ferruled    DIN 46 228-1/-2/-3/-4 min. Ø 0,5 mm solid AWG 24		
Insulation of wires length:	8 mm		
Max. contact resistance to printed circuit board:	10 mΩ		
Max. current carrying capacity:	10 A		
Wire fastening:	Cage clamps		
Required tool:	Screwdriver    ISO 2380-1-B0,5x3		
Inner connection:	Machine-solderable terminal pins for PCB		
<b>Enclosure fastener:</b>	1) Snap-on fastener on top hat rail    EN 50 022 2) Screw fixing M4, grid 90 mm with second clip as accessory		
Creepage current resistance			
Enclosure:	CTI 175 ^>= insulated material III a	IEC 60 664-1	
Plate:	CTI 250 ^>= insulated material III a	IEC 60 664-1	
<b>Air gap and creepage distance:</b>	≥ 4 mm		IEC 60 664-1
Type of protection	IEC 60 529		
Enclosure:	IP 40		
Terminal:	IP 20		
	Contact protection complies with VBG 4		
Print area:	61 x 40 mm on the front and 70 x 8 mm above the terminals		
<b>Printed circuit board:</b>	See printed circuit board design		
Printed circuit board holder:	Guide ribs		
Component installation height for a vertical printed circuit board			
on component side:	≤ 21 mm		
on soldering side:	≤ 4 mm		
Net weight:	220 g		
<b>Accessories:</b>			
ET 4086-0-2:	Second clip for screw fixing		
<b>Special version:</b>	Plate grey, on request		

## Exploded view



## Dimension



## Printed circuit board design

