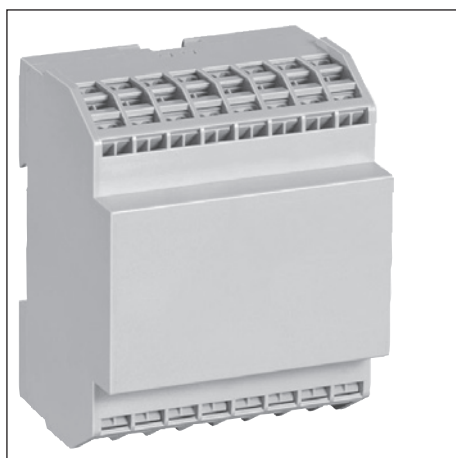
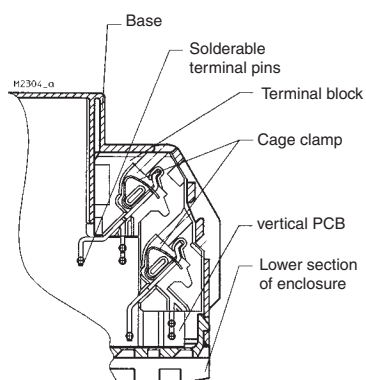


Insulated Enclosure KU 4039

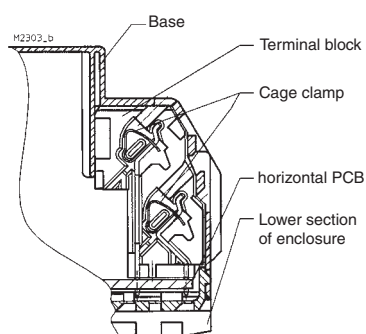
to DIN 43 880 for installation in distribution cabinets or surface mounting, with cage clamp terminals



- Width 70 mm
- Max. 32 terminals with each 2 cage clamp terminals
- Machine solderable connections
- Housing supplied as single parts, terminals prefitted in terminal blocks



Terminals for vertical PCB



Terminals for horizontal PCB

Technical Data

Order references:

KU 4039.0050259: for vertical PCB
 KU 4039.0050258: for horizontal PCB

Outer dimensions: 70 x 90 x 58 mm

Enclosure material: PC-GF, light grey RAL 7035

Temperature stability:	
complying with UL 746 B:	125 °C
complying with Vicat ISO 306	Meth. B: 148 °C
complying with ISO 75-2	Meth. A: 138 °C Meth. B: 144 °C

Max. permitted power dissipation: 8 W at normal climate 23/50-1 ISO 554

Specific thermal resistance: $R_{th} = 8 \text{ K / W}$

Flame retardancy
 complying with UL 94: V-0
 complying with IEC 60 707: BH 2-30

Number of terminals: 16

Terminal material: High grade steel / Copper alloy, tin-plated

Max. cross section for connection: 2 x 1,5 mm² solid or
 2 x 1,5 mm² stranded or
 2 x 1 mm² stranded ferruled DIN 46 228-1/-2/-3/-4
 min. Ø 0,5 mm solid AWG 24

Insulation of wires length: 8 mm

Max. contact resistance to printed circuit board: 10 mΩ

Max. current carrying capacity: 10 A

Wire fastening: Cage clamps
 Required tool: Screwdriver ISO 2380-1-B0,5x3

Inner connection: Machine-solderable terminal pins for PCB

Enclosure fastener:
 1) Snap-on fastener on top hat rail EN 50 022
 2) Screw fixing M4, grid 90 mm with second clip as accessory

Creepage current resistance: CTI 175 $\hat{=}$ insulated material III a IEC 60 664-1

Air gap and creepage distance
 vertical PCB: Air gap distances: $\geq 3,3 \text{ mm}$ IEC 60 664-1
 Creepage distances: $\geq 4,5 \text{ mm}$
 horizontal PCB: $\geq 4 \text{ mm}$

Type of protection
 Enclosure: IP 40 IEC 60 529
 Terminals: IP 20 IEC 60 529
 Contact protection complies with VBG 4

Print area: 34 x 44 mm on the front and 34 x 8 mm above the terminals

Printed circuit board: See printed circuit board design

Printed circuit board holder: Guide ribs

Component installation height for a vertical printed circuit board
 on component side: $\leq 63 \text{ mm}$
 on soldering side: $\leq 3 \text{ mm}$

Net weight: 150 g

Accessories:
 ET 4086-0-2: Second clip for screw fixing

