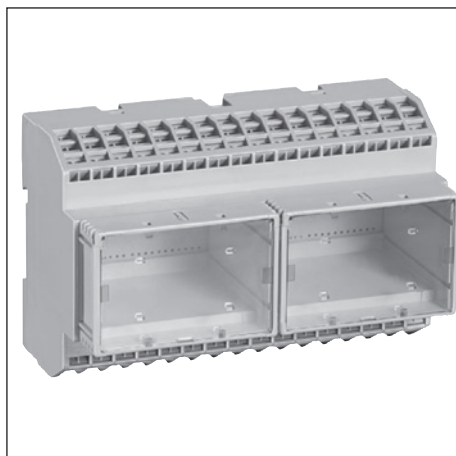
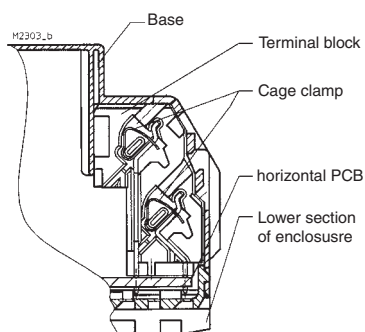


Insulated Enclosure KU 4054

to DIN 43 880 for installation in distribution cabinets or surface mounting,
with plug-in relay-module-carrier with cage clamp terminals



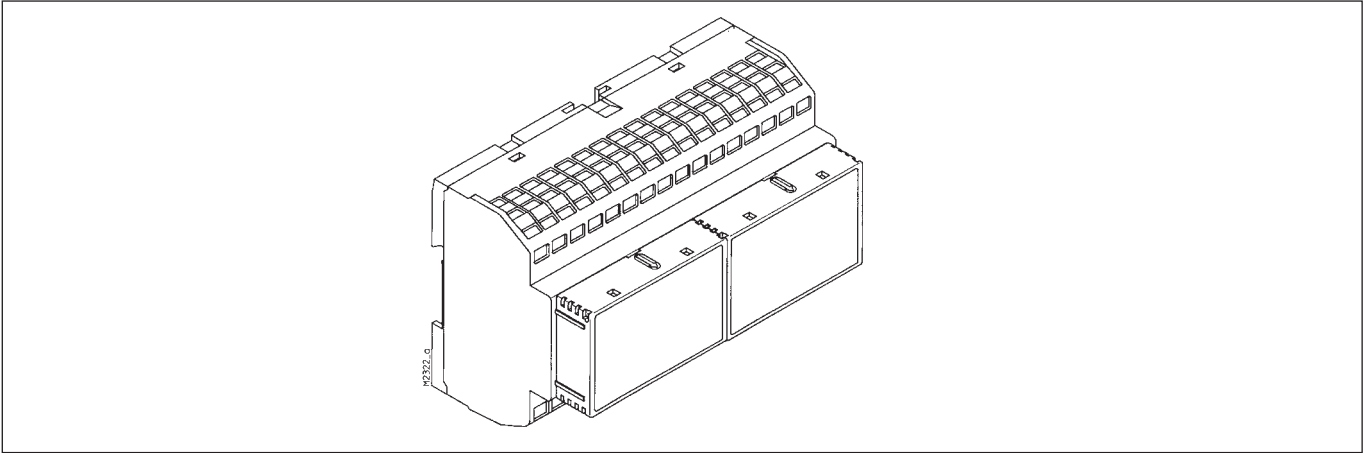
- Width 140 mm
- Ideal for building-in of BUS compatible equipment
- Plug-in carriers for Field-BUS specific control modules, providing an excellent compatibility with the field-bus system
- Max. 64 terminals with each 2 cage clamp terminals
- Will take one PCB on the base and two PCBs in the carriers
- Machine solderable connections
- Housing supplied as single parts, terminals prefitted in terminal blocks



Technical Data

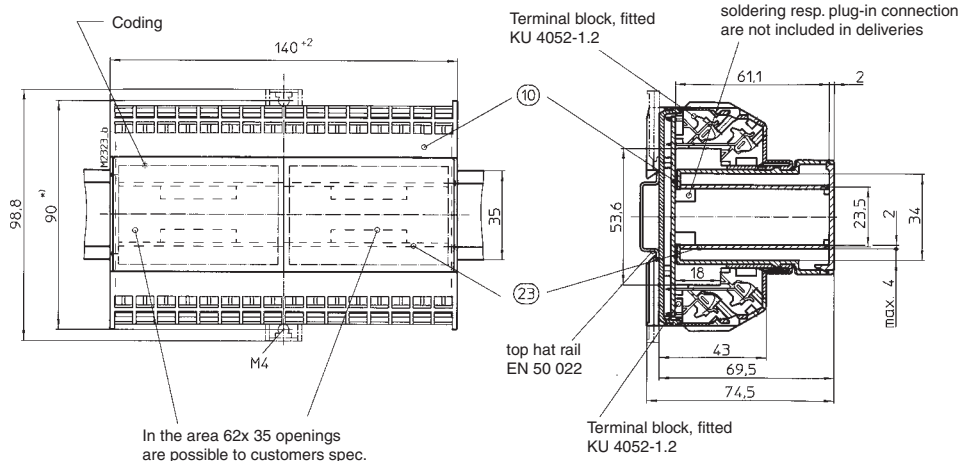
Order reference:	KU 4054.0050328		
Outer dimensions:	140 x 90 x 74,5 mm		
Enclosure material:	PC-GF, light grey RAL 7035, Plate: PC, clear		
Temperature stability:	Enclosure: PC light grey	Plate: PC clear	
complying with UL 746 B:	125 °C	115 °C	
complying with Vicat ISO 306	Meth. B: 148 °C	145 °C	
complying with ISO 75-2	Meth. A: 138 °C	126 °C	
	Meth. B: 144 °C	136 °C	
Max. permitted power dissipation:	25 W at normal climate 23/50-1	ISO 554	
Specific thermal resistance:	R _{th} = 4 K / W		
Flame retardancy complying with UL 94:	Enclosure: V-0	Plate, clear: V-2	
complying with IEC 60 707:	BH 2-30		
Number of terminals:	64, < 64 on request		
Terminal material:	High grade steel / Copper alloy, tin-plated		
Max. cross section for enclosure:	2 x 1,5 mm ² solid or 2 x 1,5 mm ² stranded or 2 x 1 mm ² stranded ferruled DIN 46 228-1/-2/-3/-4 min. Ø 0,5 mm solid AWG 24		
Insulation of wires length:	8 mm		
Max. contact resistance to printed circuit board:	10 mΩ		
Max. current carrying capacity:	10 A		
Wire fastening:	Cage clamps		
Required tool:	Screwdriver ISO 2380-1-B0,5x3		
Inner connection:	Machine-solderable terminal pins for PCB		
Enclosure fastener:	1) Snap-on fastener on top hat rail EN 50 022 2) Screw fixing M4, grid 90 mm with second clip as accessory		
Creepage current resistance			
Enclosure:	CTI 175 ^>= insulated material III a	IEC 60 664-1	
Plate:	CTI 250 ^>= insulated material III a	IEC 60 664-1	
Air gap and creepage distance:	≥ 4 mm		IEC 60 664-1
Type of protection			
Enclosure:	IP 40		
Terminal:	IP 20		
	Contact protection complies with VBG 4		
Print area:	60 x 40 mm on the front and 139 x 8 mm above the terminals		
Printed circuit board:	see printed circuit board design		
Printed circuit board holder:	Guide ribs		
Component installation height for a vertical printed circuit board			
on component side:	≤ 21 mm		
on soldering side:	≤ 4 mm		
Net weight:	320 g		
Accessories:			
ET 4086-0-2:	Second clip for screw fixing		
Special version:	Plate grey, on request		

Exploded view

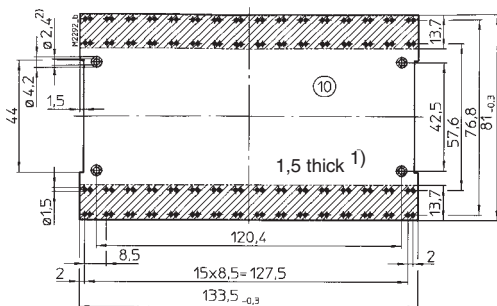


Dimension

KU 4054.0050328



Printed circuit board design



▨ Inhibited surface

1) Tolerance complying with IEC/EN 60249-2-4