

VARIMETER

Speed Monitor

MK 9055N/5_ __, MH 9055/5_ __

Translation
of the original instructions

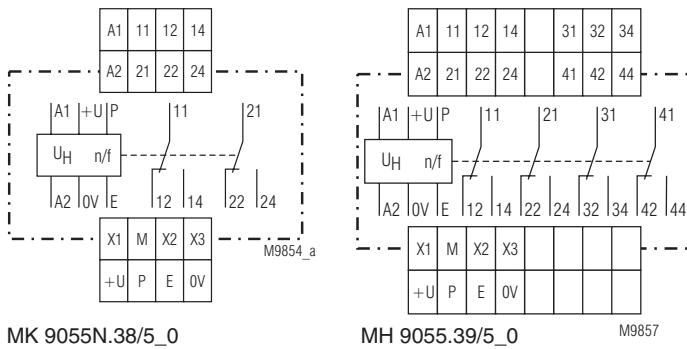


0277 985

Product Description

The speed monitors MK 9055N/5_ __ und MH 9055/5_ __ monitors the rotational speed of motors. They recognise and monitor impulse signals of e. g. proximity sensors and protect machines and produced material or allows speed depending switching in production processes.

Circuit Diagrams



MK 9055N.38/5_0

MH 9055.39/5_0

M9857

Connection Terminal

Terminal designation	Signalbeschreibung
A1+, A1	+ / L
A2	- / N
IN+, IN-, P, E	Measuring input
X1, X2, X3	Programming terminals
M	Ref. point programming terminals
UA	Analogue output voltage
IA	Analogue output current
+U / 0V	Sensor supply and alternative external auxiliary voltage DC 24 V
11, 12, 14; 21, 22, 24; 31, 32, 34; 41, 42, 44	Speed error-Indicator relay (4 changeover contacts)

Approvals and Markings



Applications

- Speed monitoring on rotating machine parts
- Monitoring of cyclic movements
- General monitoring of pulse sequences (transportation, conveyors, production systems),
- Monitoring of pulse frequency (e.g. flow sensors, anemometers)

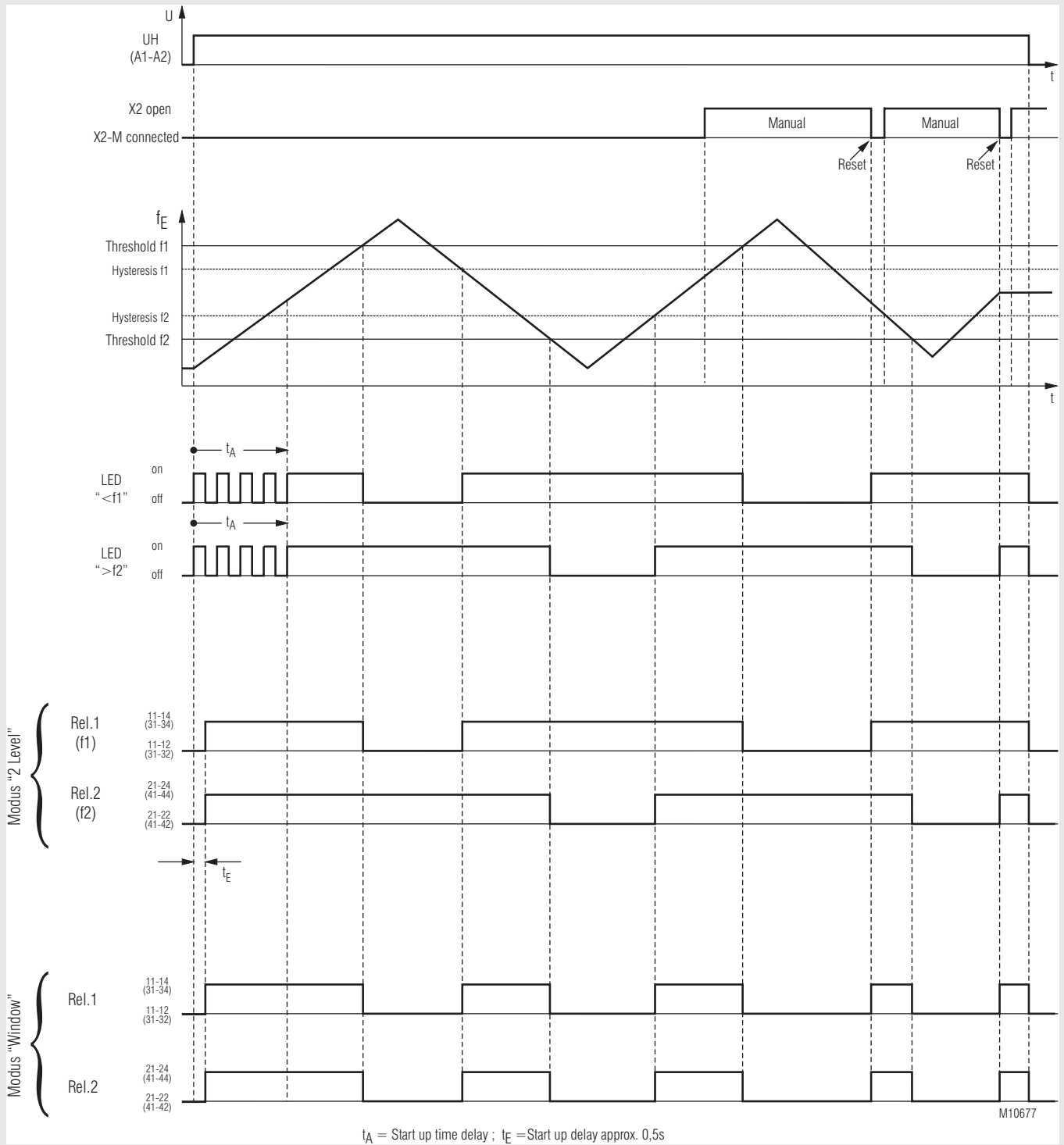
Your Advantage

- Protection of persons, machines and products
- Easy setting
- Universal input, for configuration of different sensors (PNP, NPN, 2-wire, contact, voltage)
- With fast reaction at low speed

Features:

- According to IEC/EN 60255-1
- Monitoring of 2 frequency levels (e.g. underspeed / standstill and overspeed)
- Separate relay outputs for under- and overfrequency (1 or 2 c/o contacts each)
- As alternative window operating mode (monitoring of a speed range)
- Response value for over- and underspeed / frequency separately adjustable in 10 ranges 1 ... 120.000 IPM or 0,15 ... 20.000 Hz
- Most fast reaction time also at low speed by time period measurement of the input frequency
- As option with input for NAMUR-sensors with sensor and wire protection against interruption and short circuit
- Programmable via terminals:
 - Start up time delay 0 ... 50 s or controllable
 - Alarm delay time of 0 or 0.5 s
 - With manual reset or auto reset
- LED-indication for auxiliary voltage, measuring input and output relay; additional LED for indication of wire- / sensor failure at NAMUR-input
- Auxiliary voltages AC 230 V and DC 24 V in one unit
- MH 9055 with wide input range for auxiliary voltage AC/DC 24 ... 60 V or AC/DC 110 ... 230 V (only 2 x 1 C/O)
- As option with analogue output, proportionally to speed
- 2 possible contacts
 - MK 9055N/5_ __ 2 x 1 changeover contacts
 - MH 9055/5_ __: 2 x 2 changeover contacts or wide range aux. voltage
- 2 possible compact designs
 - MK 9055N/5_ __: Width 22,5 mm
 - MH 9055/5_ __: Width 45 mm

Function Diagram



t_A = Start up time delay ; t_E = Start up delay approx. 0,5s

Function

The auxiliary supply is connected to terminals A1-A2. An operation with alternatively DC 24 V is possible via terminals +U / 0V.

Different sensors can be connected to the measuring input that detects the speed pulses.

The input frequency is compared to the setting value over- and underfrequency (response value f1 or f2 = fine tuning x range).

As the device measures the periods duration the fastest frequency measurement is possible.

If the input frequency is under the threshold f1 (2 upper setting elements on the front) minus hysteresis and over the the threshold f2 (2 lower setting elements on the front) plus hysteresis, both output relays are energized and the Yellow LEDs "<f1" and ">f2" are on.

If the input frequency rises over the threshold f1, in 2-level mode relay 1 de-energizes (contact 11-12 closes); in window mode also relay 2 de-energizes (contact 21-22 closes) the yellow LED "<f1" goes off (alarm state).

Only when the input frequency returns under threshold f1 minus hysteresis the relay (in window mode both relays) energize again and the the yellow LED "<f1" lights up.

If the input frequency goes under the threshold f2, in 2-level mode relay 2 de-energizes (contact 21-22 closes); in window mode also relay 1 de-energizes (contact 11-12 closes) the yellow LED ">f2" goes off (alarm state).

Only when the input frequency returns over threshold f2 plus hysteresis the relay (in window mode both relays) energize again and the the yellow LED ">f2" lights up.

If manual reset is activated (terminal X2 unconnected) the relevant output relays remain in alarm state when the frequency is back in good state and the LED stays off. Reset of the alarm state is the possible by bridging X2-M or by disconnection of the auxiliary supply.

If a start up delay is adjusted, after connection of the auxiliary supply the start up delay elapses. During this time the frequency is not monitored. the yellow LEDs "<f1" and ">f2" flash and the output relays are in good state (energized).

During start up delay an alarm signal can be avoided e.g. during the starting period of a motor.

With the sliding switch on the front either 2-level mode or window mode is selected.

"2 level mode": 2 x 1 c/o contact; the output relays switch separately at the corresponding thresholds for f1 and f2.

"Window mode": 2 c/o contacts; the output relays switch simultaneously on threshold f1 and f2 (where f1 > f2), i.e. the relays both de-energise either going over f1 or going under f2.

The variant /510 (NAMUR sensor input) includes broken wire and short circuit monitoring of the sensor and connection wire. A red LED indicates this failure and the output relays switch off.

Indicators

Upper LED "UH/E": - Green: Auxiliary supply is present, measuring input is Low
- Yellow: Auxiliary supply is present, measuring input is High
- Lintermittent red/green flashing if U_H and impuls sequence present

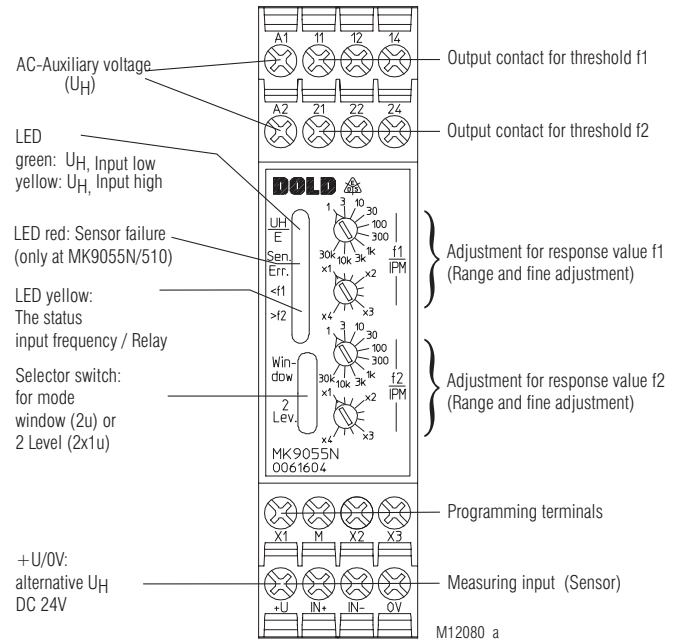
Red LED "Sen.Err": (only at NAMUR input) - On, when broken wire or interruption at sensor circuit detected

Lower LED "<f1" (yellow):- On, when inout frequency lower than f1 (relay 1 energized in 2 level mode)

Lower LED ">f2" (yellow):- On, when input frequency higher than f2 (relay 2 energized in 2 level mode)

LEDs "<f1" and ">f2" flash during start up delay

Setting



Notes

Adjustment of threshold f1 and f2 / energized on trip for output relays

Normally the frequency threshold f1 is used for overfrequency and the frequency threshold f2 for underfrequency. The hysteresis works accordingly. Both output relays when adjusted as above work in de-energized on trip mode. In 2 level mode the monitoring and the control of the output relays on both frequency settings f1 and f2 work completely independent, so that f1 can be set higher than f2 when manual reset is not selected. Therefore if f2 is used for overfrequency monitoring the output relay will operate in energized on trip mode as relay 2 (21-22-24) always energises when threshold f2 plus hysteresis is exceeded. Equally the threshold f1 minus hysteresis is used for underfrequency monitoring also now in energized on trip mode for relay 1 (11-12-14). In windows mode with manual reset the frequency threshold f1 must be always adjusted higher than f2 otherwise the output relays will not energize.

Universal measuring input

The universal input of the speed monitor (terminals +U, P, E, 0V) can handle a large variety of sensors (inductive or capacitive proximity sensors, ultra sonic, hall effect, optical sensors, light barriers, reed contacts etc.). The input is suitable for all sensors according to IEC / EN 60947-5-2 (VDE 0660 part 208).

Depending on the sensor that is used (3-wire PNP or NPN, 2-wire, contact) the connection to the input terminals could be different (see Connection Examples).

As the speed monitor is suitable for a very high maximum frequency, RC-elements need to be installed to suppress bouncing of contact sensors (see Connection Examples). It is possible to use standard RC-elements suitable for contact protection or RF interference protection.

NAMUR input

The Variant M_9055N/510 is optimized for the connection of NAMUR sensors according to IEC / EN 60947-5-6 (VDE 0660 Teil 212; former EN 50227 / DIN 19234). These 2-wire-sensors are connected to terminals IN+ / IN- (see application example).

NAMUR sensors have a defined current in ON as well as in OFF state. This allows to detect short circuits and broken wire on sensor and connection wires with this variant. Together with the upper green/yellow LED the type of failure is indicated:

Red LED "Sen..Err" ON and upper LED "UH/E" lights up green:

Broken wire at input circuit

Red LED "Sen..Err" ON and upper LED "UH/E" lights up yellow:

Short circuit at input circuit

Instead of a NAMUR sensor also a contact sensor with correspondent resistor circuit can be used (see Connection Examples). The suggested resistors are necessary to avoid broken wire or short circuit detection alarm. If the resistors are connected directly on the sensor side, the wiring still is monitored. Because of contact bouncing of mechanical contacts a capacitor has to be connected on the measuring input terminals.

Sensor supply, 24V DC auxiliary supply as alternative

The input circuit (+U, P, E, 0V) is galvanic separated to the auxiliary supply A1, A2 (eg. AC 230V). By connecting AC 230V auxiliary voltage on terminals A1-A2 the unit provides a voltage of approx. 24 V max 20mA to supply external sensors. If the auxiliary supply is DC 24V or sensors with higher power consumption are used, the DC 24V auxiliary supply is connected to terminals +U / 0V. The sensors are also supplied from this source. (In this case there is no galvanic separation between auxiliary supply and measuring input).

Monitoring indicator of sensor input

The upper 2-coloured LED shows the connected supply voltage and the electrical state of the measuring input:

Green: Input E ist on LOW level

Yellow: Input E ion HIGH level

Depending on the type of sensor (PNP, NPN, 2-wire, NO or NC contact) the actual state (active or inactive) is indicated.

Green / yellow: Input pulses from sensor present

Several speed monitors on one sensor

Parallel operation of several speed monitors on one sensor is possible the universal input e.g. to monitor several speed levels. The corresponding terminals are all connected in parallel.

Notes

Programming terminals (M-X1-X2-X3):

Attention! The terminals M-X1-X2-X3 have no galvanic separation to the measuring circuit (+U / P / E / 0V) e.g. auxiliary voltage DC 24 V

M: Common connection (Ground) of the programming terminals (identically with 0V)

X1: Start up delay with range 0...50 s by bridging X1 with M using a resistor or potentiometer (see Technical Data). If no start up delay is required X1-M has to be bridged

X2: Manual reset with NO contact push button on X2-M, auto reset with terminals X2-M bridged.

X3: With open terminal: alarm delay = 0.5 s, bridged with M no time delay.

Start up delay

A start up delay (t_A , 0 ... 50 s) is adjusted by connecting terminal X1 with M via a resistor 0... 500 kOhm (details see technical data) and it is initiated when the power supply is connected. During this time the frequency is not monitored and both output relays are energised.

If the connection X1-M is interrupted (resistance > 500 kOhm), the start up delay is permanent, this allows to disable the monitoring by an external contact until a system reaches the operational state. Closing the external contact will initiate the start up delay determined by a connected resistor. If no start up delay is required X1-M needs to be bridged.

The X1-M connection is necessary to enable the monitoring of the frequency.

During elapse of the start up delay the yellow LEDs <f1 and >f2 flash with a 2 Hz frequency. To adjust a certain time in seconds the number of flashes can be counted as setting aid. The number of flashes divided by 2 gives the delay time in seconds.

Manual reset

To store the alarm states for over or underfrequency, the X2 terminal needs to be unconnected. The alarm storing has effect on the relays and corresponding LEDs. By bridging X2-M or disconnecting the power supply the alarm state is reset.

Variants with Analogue Output Indicating the Actual Speed / Frequency

With this variant the programming terminal X3 is replaced by terminal UA or IA, that provides an analogue signal proportional to the speed with reference to terminal 0V. This signal is either 0 ... 10 V or 0 ... 20 mA or 4 ... 20 mA. As the X3 terminal is not available, these variants do not have an alarm delay.

With the variant /517 (NAMUR sensor input with analogue output 4 ... 20 mA) the analogue output also indicates a sensor or wiring failure by switching the output to 0 mA.

The analogue output has no galvanic separation to measuring input and the alternative auxiliary supply on terminals +U/0V.

Technical Data**Frequency Measuring Input****Universal Input (+U / P / E 0V)**

For PNP-, NPN-, 2-wire sensors, contacts and voltages, connection see application examples; suitable for all proximity sensors according to IEC / EN 60947-5-2 (VDE 0660 part 208)

built in power supply approx. DC 24 V / max. 20 mA on terminals +U / 0V; Alternatively external auxiliary voltage supply DC 24 V via terminals +U / 0V

Max. residual current

at 2-wire sensors: 2 mA (OFF state)

Max. voltage drops

at 2-wire sensors: 8 V (ON state)

Voltage control

Input resistance: Approx. 17 kΩ

Low-capability: ≤ 8 V

High-capability: ≥ 11 V

NAMUR Input (Variant /510) IN+ / IN-

For NAMUR sensors according to IEC/EN 60947-5-6 (VDE 0660 part 212)

No-load voltage: Approx. 8.2 V

Input resistance: Approx. 1 kΩ

Short circuit current: Approx. 8 mA

Response value

Low: Typ. 1.55 mA

High: Typ. 1.75 mA

Broken wire threshold: ≤ 0.15 mA

short circuit threshold: ≥ 6 mA

Alternatively external auxiliary voltage supply DC 24 V via terminals +U / 0V

Common Data for Inputs**Response value (f1 / f2)**

10 ranges each: 1 ... 120.000 IPM

range	1	2	3	4	5	6	7	8	9	10
Imp. / min	1 to 4	3 to 12	10 to 40	30 to 120	100 to 400	300 to 1.200	1.000 to 4.000	3.000 to 12.000	10.000 to 40.000	30.000 to 120.000

or 0,15 ... 20.000 Hz

range	1	2	3	4	5	6	7	8	9	10
Hz	0.15 to 0.6	0.5 to 2	1.5 to 6	5 to 20	15 to 60	50 to 200	150 to 600	500 to 2.000	1.500 to 6.000	5.000 to 20.000

Fine adjustment: Infinite 1:4 each range

Max. input frequency

(Impuls : Pause = 1 : 1)

Range 1 ... 4: 1.5 kHz

Range 5 ... 7: 5 kHz

Range 8 ... 10: 25 kHz

Min. pulse- and breaktime

Range 1 ... 4: 350 μs

Range 5 ... 7: 100 μs

Range 8 ... 10: 20 μs

the "higher" range of the f1 and f2 determines the above values.

Stability of the setting threshold at variation of auxiliary voltage and temperature:

2 %

Hysteresis:

Fixed, approx. 5% at f1 and f2

Reaction time of**Frequency monitoring:**

(Alarm delay set to 0)

Duration of 1 cycle (inverse value of adjusted frequency) + 10 ms (at over frequency: inverse value of signal frequency + 10 ms)

Response delay:

With terminal X3 open: 0,5 s

With X3-M bridged: No response delay

Technical Data

Start up delay: Adjustable von 0 ... 50 s with resistor/potentiometer across terminals X1-M:

R / kΩ:	0	15	22	33	47	68	100	150	220	470	∞
t _v / s:	0	0.3	0.7	1.3	2.3	5	9	15	25	50	∞

Time between connection of auxiliary supply and ready to measure:

Approx. 0,5 s (with start up delay is 0)

Auxiliary Voltage (A1-A2; bzw. +U / 0V)**Auxiliary voltage U_H:**

AC 115, 230, 400 V + DC 24 V each (via terminals +U / 0V) (Terminals +U / 0V has no galvanic separation to measuring input)

AC/DC 24 ... 60, 110 ... 230 V (only for MH-version possible)

Voltage range

AC: 0.8 ... 1.1 U_H

DC: 0.85 ... 1.2 U_H

AC/DC: 0.75 ... 1.2 U_H

Frequency range

AC: 45 ... 440 Hz

Nominal consumption:

AC: Approx. 4 VA

DC: Approx. 2 W

Contact Output (11-12-14, 21-22-24 + 31-32-34, 41-42-44 bei MH 9055.39/5_)**Contacts:**

MK 9055N.38/5_ _:

2 x 1 changeover contact

1 for over and underfrequency alarm each

MH 9055.39/5_ _:

2 x 2 changeover contacta

2 for over and underfrequency alarm each

4 A

Thermal curren I_{th}:**Switching capacity**

to AC 15

NO contacts: 3 A / AC 230 V IEC/EN 60947-5-1

NC contacts: 1 A / AC 230 V IEC/EN 60947-5-1

To DC 13

NO contacts: 1 A / DC 24 V IEC/EN 60947-5-1

NC contacts: 1 A / DC 24 V IEC/EN 60947-5-1

Electrcal life

to AC 15 at 1 A, AC 230 V: 1.5 x 10⁵ switch.cycl. IEC/EN 60947-5-1

Short circuit strength

max. fuse rating: 4 A gG / gL IEC/EN 60947-5-1

Mechanicl life: ≥ 30 x 10⁶ switching cycles

Analogue volt. output (variant /5_5, terminal "UA" against "0V")**Nominal output voltage:**

0 ... 10 V, linear proportional to the speed / frequency, without galvanic separation to measuring input and DC 24 V-supply

Max. 10 mA

Load:

Scale: 0 V at 0 IPM / Hz
5 V at setting end of scale value of speed / frequency
10 V at input frequency = 2 x end of scale value

Accuracy:

3 %

Analogue current output (variant /5_6, or 5_7; terminal "IA" against "0V")**Output:**

0 ... 20 mA bzw. 4 ... 20 mA, linear proportional to the speed / frequency, without galvanic separation to measuring input and DC 24 V-supply

Max. burden:

500 Ω

Scale:

0 mA e.g. 4 mA at 0 IPM / Hz
10 mA e.g. 12 mA at setting end of scale value
20 mA at input frequency = 2 x end of scale value

Fault signal at NAMUR input:

At output 4 ... 20 mA (variant /017) on sensor failure current drops tp 0

Accuracy:

3 %

Technical Data

General Data

Nominal operating mode: Continuous operation

Temperature range

Operation: - 20 ... + 60 °C

Storage: - 20 ... + 60 °C

Altitude: ≤ 2000 m

Clearance and creepage distance

Rated impulse voltage /

pollution degree:

Contact to measuring input: 4 kV / 2 IEC 60664-1

Contact to auxiliary circuit: 4 kV / 2 IEC 60664-1

Contact to Contact: 4 kV / 2 IEC 60664-1

Auxiliary circuit A1-A2 to measuring input: 4 kV / 2 IEC 60664-1

Programming terminals

M-X1-X2-X3: Without galv. separat. to measuring input

Auxiliary voltage DC 24 V (an +U / 0V): Without galv. separat. to measuring input

Analogue output, optional (UA / IA): Without galv. separat. to measuring input

EMC

Electrostatic discharge: 8 kV (air) IEC/EN 61000-4-2

HF-irradiation

80 MHz ... 1 GHz: 12 V / m IEC/EN 61000-4-3

1 GHz ... 2.7 GHz: 10 V / m IEC/EN 61000-4-3

Fast transients: 2 kV IEC/EN 61000-4-4

Surge voltage

between

wires for power supply: 1 kV IEC/EN 61000-4-5

HF-wire guided: 10 V IEC/EN 61000-4-6

Interference suppression: Limit value class B EN 55011

Degree of protection:

Housing: IP 40 IEC/EN 60529

Terminals: IP 20 IEC/EN 60529

Housing: Thermoplastic with VO behaviour

acc. to UL subject 94

Vibration resistance: Amplitude 0.35 mm

frequency 10 ... 55 Hz IEC/EN 60068-2-6

20 / 060 / 04 IEC/EN 60068-1

Climate resistance: EN 50005

Terminal designation: EN 50005

Wire connection: 1 x 4 mm² solid or

2 x 2.5 mm² solid or

1 x 2.5 mm² stranded wire with sleeve

DIN 46228-1/-2/-3/-4 oder

2 x 1.5 mm² stranded wire with sleeve

DIN 46228-1/-2/-3/

Plus-minus terminal screws M3,5 box

terminals with wire protection

Wire fixing: 0.8 Nm

Fixing torque: 0.8 Nm

Mounting: DIN-rail IEC/EN 60715

Weight:

MK 9055N.38/5__ ,

MH 9055.38/5__ : Approx. 210 g

MH 9055.39/5__ : Approx. 360 g

Dimensions

Width x height x depth:

MK 9055N/5__ : 22.5 x 90 x 97 mm

MH 9055/5__ : 45 x 90 x 97 mm

Standard Type

MK 9055N.38/500 1 ... 120.000 IPM U_H AC 230 V

Article number: 0058718

- 2 adjustable frequency thresholds in 10 ranges each: 1 ... 120.000 IPM
- Response value infinitely adjustable 1:4
- Universal input for PNP-, NPN-, 2-wire-sensors, contacts, voltage
- Monitoring mode 2-level or window selectable
- Hysteresis: Fixed approx. 5 %, for f1 and f2
- Alarm delay via terminal programming: 0 / 0.5 s
- Response delay: Settable with external resistor to 0 ... 50 s
- Alarm storing or auto-reset selectable
- Auxiliary voltage U_H: AC 230 V + DC 24 V
- Energized on trip
- Output: 2 changeover contacts
- Width: 22.5 mm

Variants

M_ 9055__3__/5__

0 Standard

5 Analogue output 0 ... 10 V (instead of terminal X3)

6 Analogue output 0 ... 20 mA (instead of terminal X3)

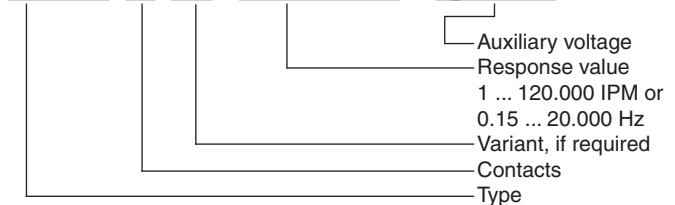
7 Analogue output 4 ... 20 mA (instead of terminal X3)

0 Universal input (standard)

1 NAMUR input with sensor monitoring

Ordering example for variants

MK 9055N .38 /500 1 ... 120.000 IPM U_H AC 230 V



Accessory

NA 5001, NA 5002,

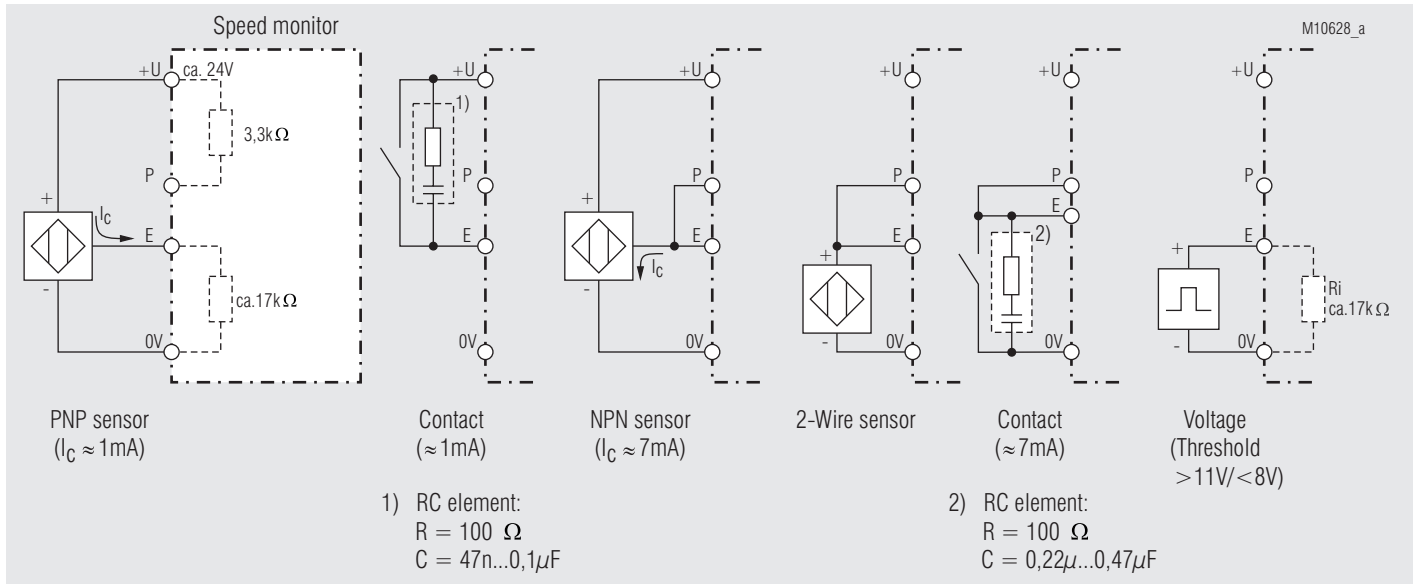
NA 5005, NA 5010:

Proximity Sensors, inductive

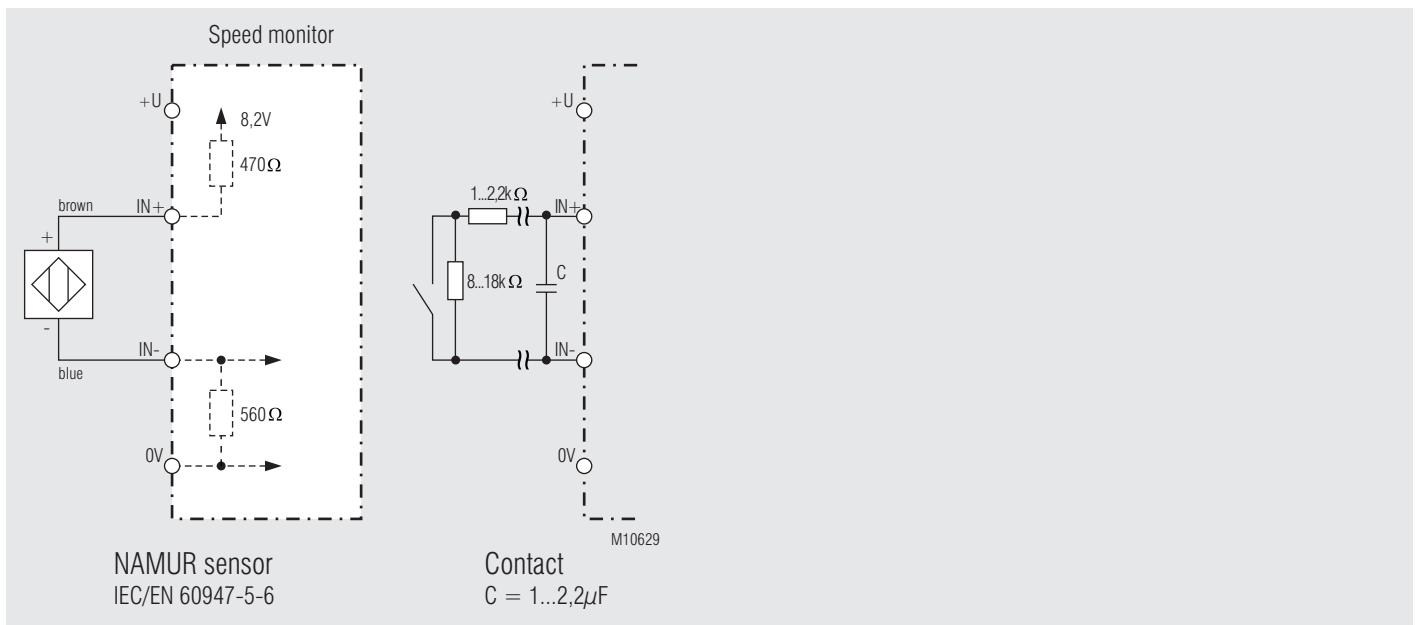


For further information on the proximity sensors, please refer to the associated NA 5001 data sheet at www.dold.com.

Application Examples



Universal input



NAMUR input only at M_ 9055.3_/51_

