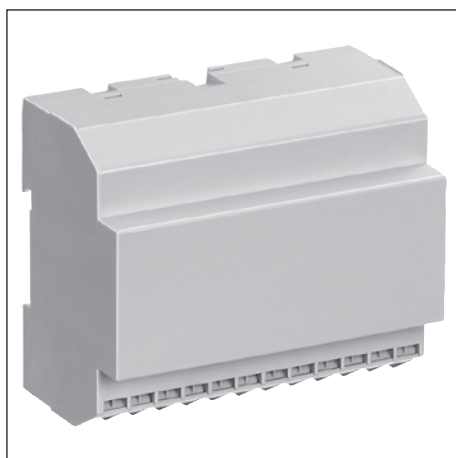
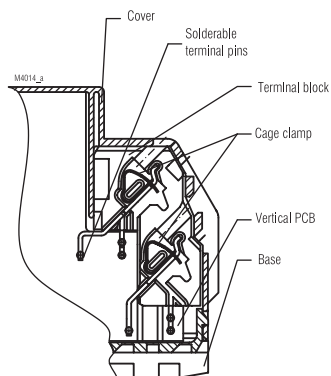


Insulated Enclosure KU 4040

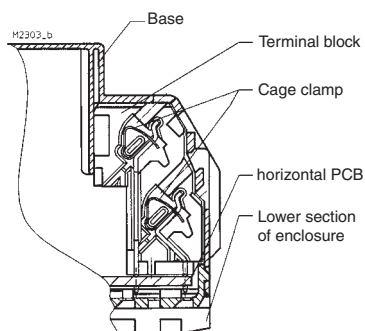
to DIN 43 880 for installation in distribution cabinets or surface mounting, with cage clamp terminals



- Width 105 mm
- Max. 24 terminals with each 2 cage clamp terminals
- Machine solderable connections
- Housing supplied as single parts, terminals prefitted in terminal blocks



Terminals for vertical PCB



Terminals for horizontal PCB

Technical Data

Order references:

KU 4040.0055082: with 24 terminals, soldering on vertical PCB
 KU 4040.0050913: with 24 terminals, soldering on horizontal PCB

Outer dimensions: 105 x 90 x 59 mm

Enclosure material: PC-GF, light grey RAL 7035

Temperature stability:		
complying with UL 746 B:		125 °C
complying with Vicat ISO 306	Meth. B:	148 °C
complying with ISO 75-2	Meth. A:	138 °C
	Meth. B:	144 °C

Max. permitted power dissipation: 10 W at normal climate 23/50-1 ISO 554

Specific thermal resistance: $R_{th} = 6,1 \text{ K / W}$ for stand-alone enclosure

Flame retardancy
 complying with UL 94: V-0
 complying with IEC 60 707: BH 2-30

Number of terminals: 24 < 24 on request

Terminal material: High grade steel / Copper alloy, tin-plated

Max. cross section for connection: 2 x 1,5 mm² solid or
 2 x 1,5 mm² stranded or
 2 x 1 mm² stranded ferruled DIN 46 228-1/-2/-3/-4
 min. Ø 0,5 mm solid AWG 24

Insulation of wires length: 8 mm

Max. contact resistance to printed circuit board: 10 mΩ

Max. current carrying capacity: 10 A

Wire fastening: Cage clamps
 Required tool: Screwdriver ISO 2380-1-B0,5x3

Inner connection: Machine-solderable terminal pins for PCB

Enclosure fastener:
 1) Snap-on fastener on top hat rail EN 50 022
 2) Screw fixing M4, grid 90 mm with second clip as accessory

Creepage current resistance: CTI 175 $\hat{=}$ insulated material III a IEC 60 664-1

Air gap and creepage distance
 vertical PCB: Air gap distances: $\geq 3,3 \text{ mm}$ IEC 60 664-1
 Creepage distances: $\geq 4,5 \text{ mm}$
 horizontal PCB: $\geq 4 \text{ mm}$

Type of protection
 Enclosure: IP 40 IEC 60 529
 Terminals: IP 20 IEC 60 529
 Contact protection complies with VBg 4

Print area: 103 x 42 mm on the front and 103 x 8 mm above the terminals

Printed circuit board: See printed circuit board design

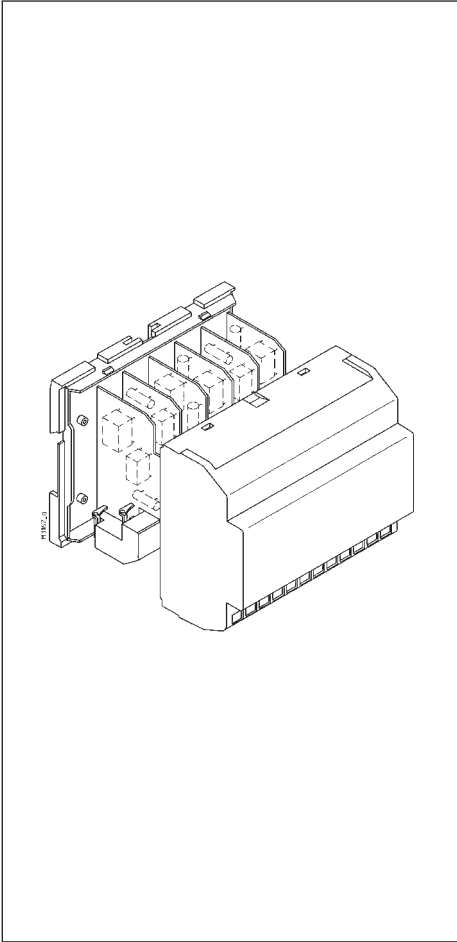
Printed circuit board holder: Guide ribs

Component installation height for a vertical printed circuit board
 on component side: $\leq 12,2 \text{ mm}$ resp. $\leq 15,5 \text{ mm}$
 on soldering side: $\leq 2,2 \text{ mm}$

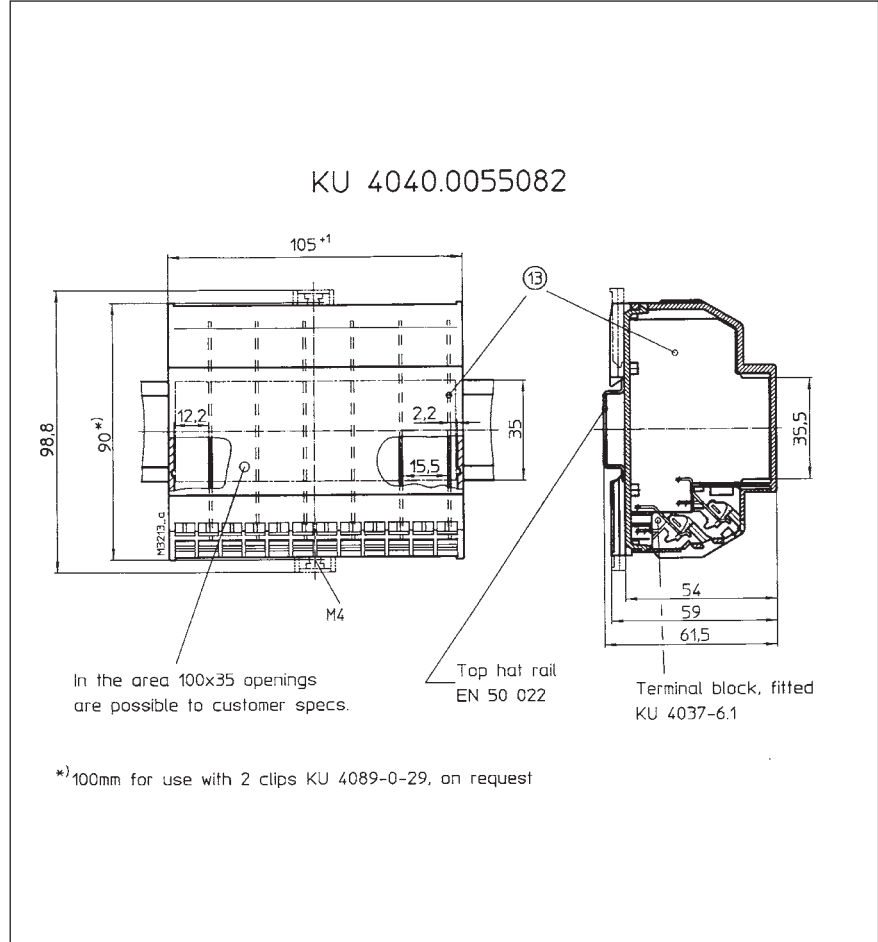
Net weight:
 vertical PCB: 260 g
 horizontal PCB: 220 g

Accessories:
 ET 4086-0-2: Second clip for screw fixing

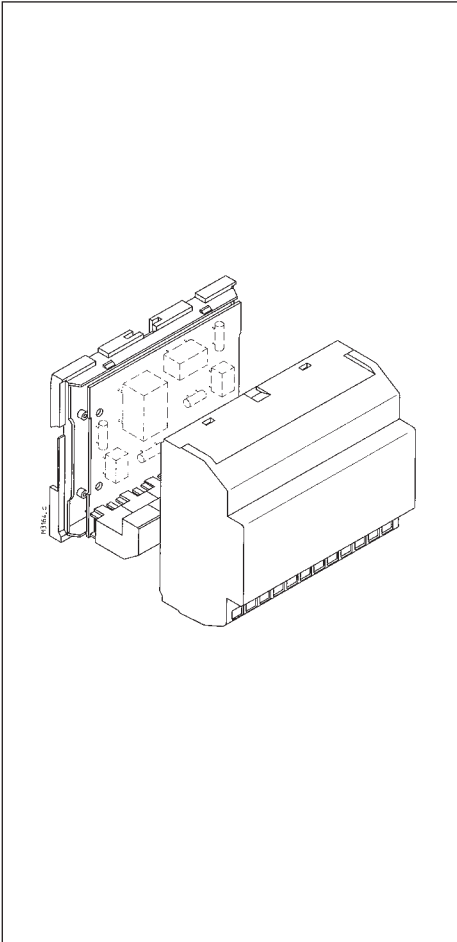
Exploded view



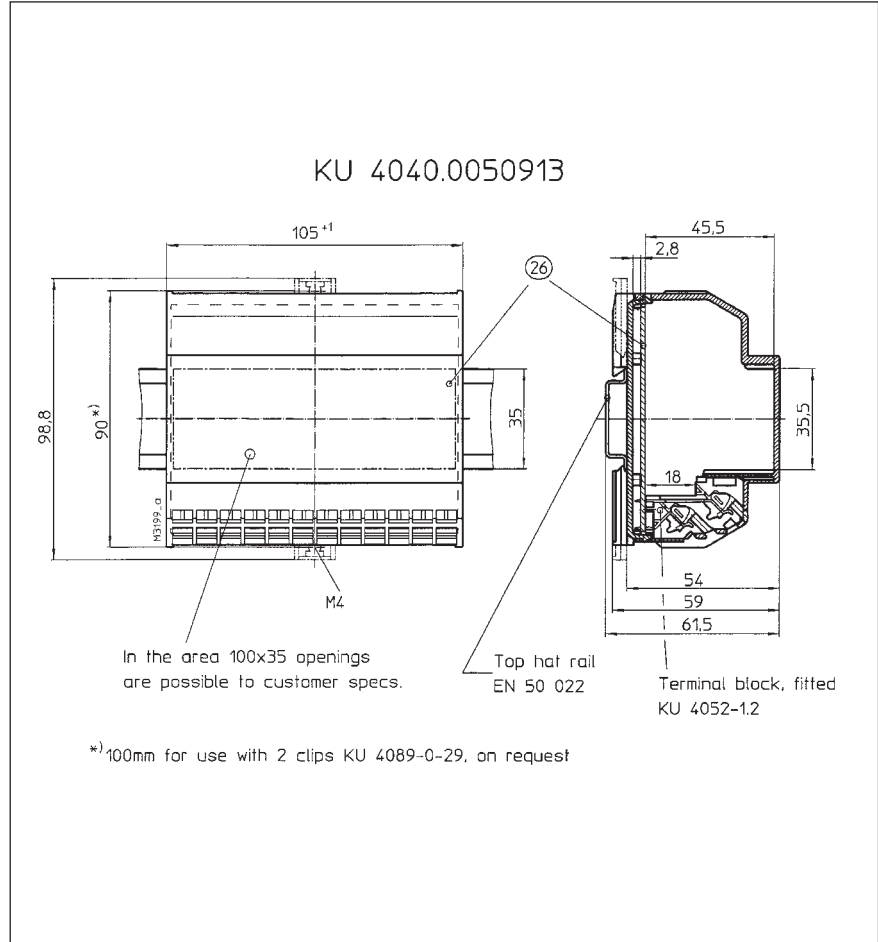
Dimensions Enclosure for vertical PCB



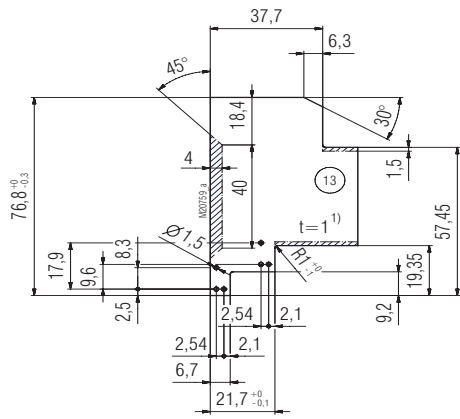
Exploded view



Dimensions Enclosure for horizontal PCB



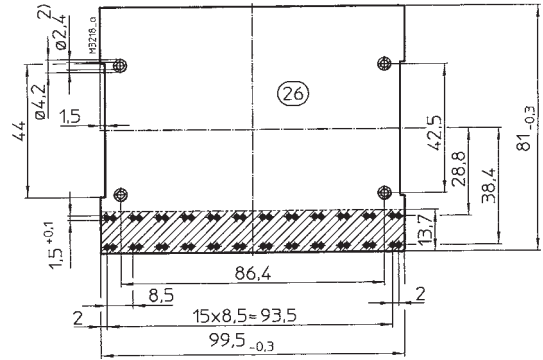
for vertical PCB



 Inhibited surface

- 1) Tolerance according to DIN EN 60249-2-4
General tolerance : PERFAG 2 E

for horizontal PCB
View from component side



 Inhibited surface

- 1) Tolerance complying with IEC/EN 60249-2-4
2) Hole \varnothing 2,4 on request for cylindrical screws
ISO 1207 - M2 x 3 not included in deliveries

